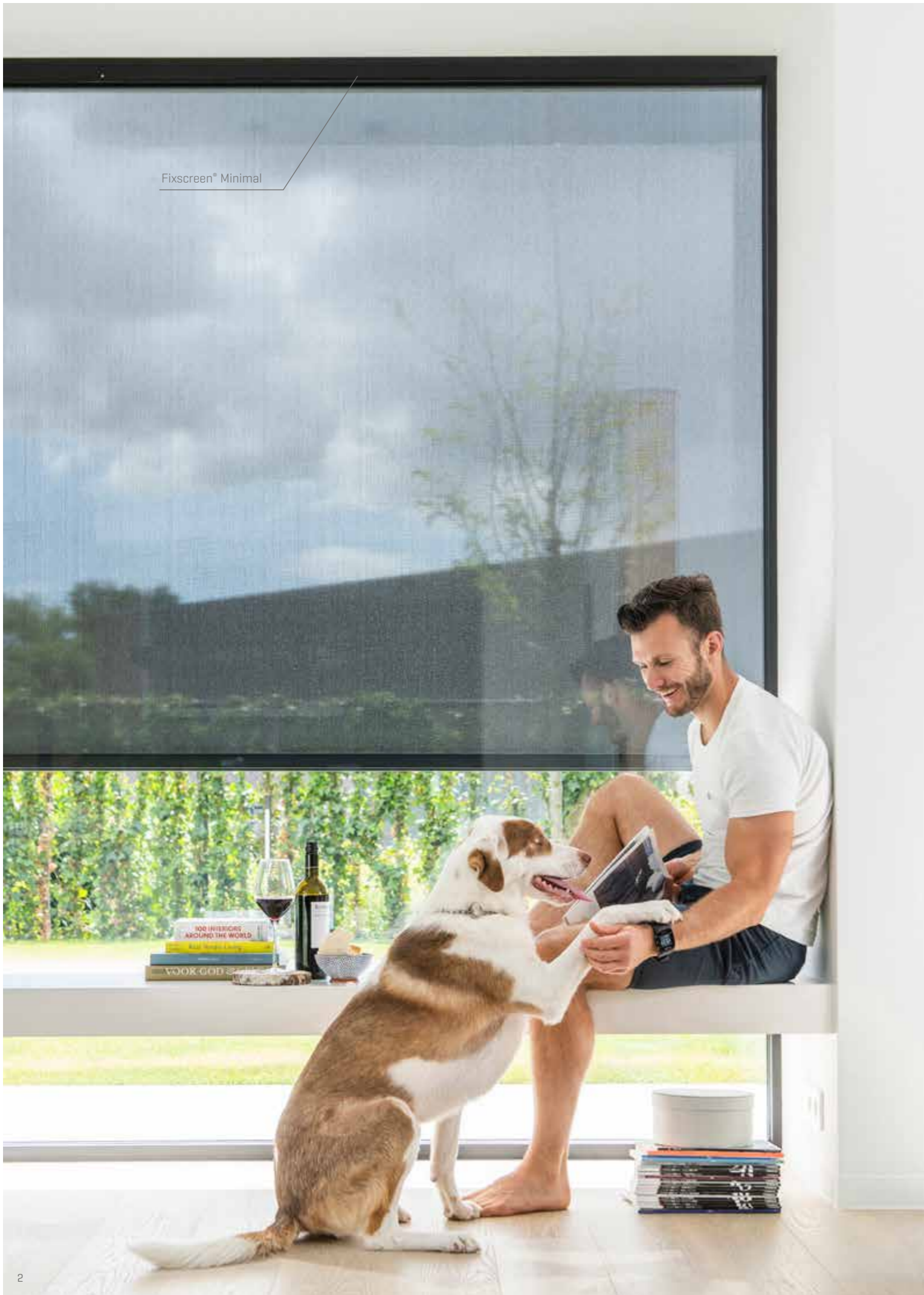


# FIXSCREEN® MINIMAL

Discreet sun protection for new construction projects (IM7)



Fixscreen® Minimal



# WHY SUN PROTECTION?

Sufficient daylight in the house contributes to comfortable living and is essential to making you feel great. This makes the choice for large windows a logical one. Keep in mind, however, that without sun protection, the risk of overheating is lurking around the corner.

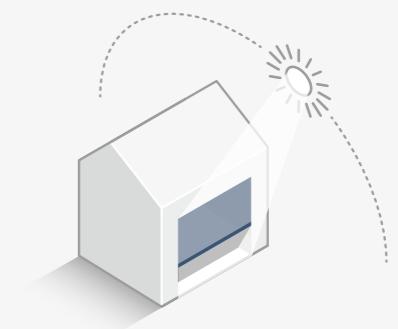
*“Outdoor sun protection is the most efficient way to enjoy pleasant indoor temperatures in summer and winter”*

## CUSTOMISED COMFORT IN ALL SEASONS

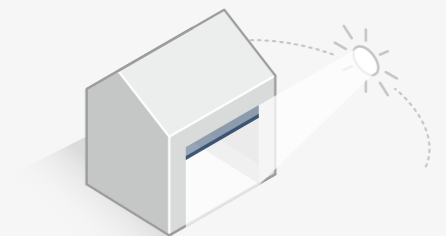
Newly built homes are increasingly well insulated and finished airtight. While that's great for your energy bill, on hot days, the sun shines directly on the large windows and quickly makes it unbearably hot inside the house. Once that heat is inside, it becomes nearly impossible to cool down a well-insulated house.

It therefore comes down to 'controlling' sunlight in such a way that you can enjoy it optimally. By keeping the outdoor sun protection retracted in winter, for example, so that you can then benefit from allowing the natural heat to warm your interior. In summer it is then a must to leave the screens down to regulate the interior temperature. It also eliminates disruptive reflections while still preserving your outdoor view.

### SUMMER



### WINTER



# WHY THE FIXSCREEN® MINIMAL?

Renson® is a pioneer in windproof sun protection screens against winds up to 130 km/h, and its new product the Fixscreen Minimal raises the bar even higher. The ultimate aim is the highest possible level of aesthetic integration into the façade. To ensure this, each and every part and detail of the Fixscreen sun protection was studied in depth: box, side guiding channels, fabric roller tube, dimensions, screen tension, etc. The result of these efforts being: minimal dimensions and a high-end design that enable a nearly invisible installation.

## MAXIMUM POSSIBILITIES WITH MINIMAL IMPACT

Minimal head box size with limited installation depth

## SUPER-SLIM 20 MM SIDE GUIDING CHANNEL

Completely new side guiding channel with high end design, screwless and with lacquered aluminium innerrail

## HIGH-END DESIGN

Screwless and with a powder coated aluminium inner rail

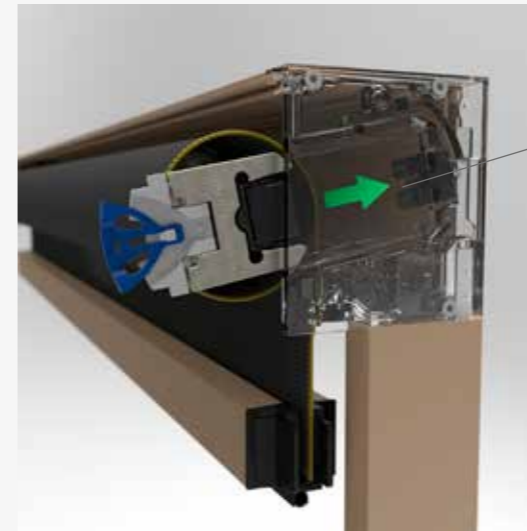
## MINIMALISTIC BOTTOM BAR

The small bottom bar with a height of 35 mm has an invisible integrated welding seam

## AESTHETIC CONNECTION TO A SILL

Lacquered base plate of 0° or 5° for a seamless connection to the sill

VAST COLLECTION OF FABRICS AND POWDER COATING COLOURS



## COMPLETELY RENEWED CONNECT&GO-TECHNOLOGY

To facilitate a quick, easy and safe (de)mounting of the fabric set. By integrating the **Click&Safe technology**, the fabric set can now be clicked into the head box without screws so that the installer has his hands free to safely complete the installation.



## DURABLE INNERRAIL WITH SMOOTH TECHNOLOGY

This aluminium inner rail also features the unique, successful formula of the Smooth technology. This ensure that the zip glides silently into the guiding channel and guarantees high wind resistance in the long term



## EXTREME WIND WARRANTY UP TILL 130 KM/H

Next to the high wind warranty in closed position for standard applications, there is a high warranty up till 100 km/h for freestanding applications. Ideally suitable for sun protection in balconies and terraces.

## MINIMAL IMPACT ON ARCHITECTURE

Thanks to its smaller head box, the Fixscreen Minimal can be mounted discretely for both surface-mounted (IM1) as well as recessed (IM7) installation. The sleek lines and Square design of the head box keep the impact on the architecture to a minimum:

- 'Small' head box of 140 mm high and 90 mm deep for dimensions up to 10 m<sup>2</sup>
- 'Medium' head box of 160 mm high and 110 mm deep for dimensions up to 18 m<sup>2</sup>
- 'Large' head box of 180 mm high and 130 mm deep for dimensions up to 27,8 m<sup>2</sup>

In addition to the head box, the side guiding channels and bottom bar were also given a slimmer design. The side guiding channels have a width of only 20 mm, which is unparalleled in the market. The height of the bottom bar has been reduced to just 35 mm.



Fixscreen Minimal IM1 Small



Fixscreen Minimal IM7 Small

## EASE OF INSTALLATION

With this new product range, the ease of installation was given the highest priority. The head box profile, for example, has a detail at the rear with various applications with various applications.

- For the installation of the sun protection, the head box can be mounted on a **hook profile**. A simple and fast solution for both surface-mounted and recessed installation!
- For an easy recessed installation 40 mm in front of the window, the head box can be mounted to the **base box M.W+**.
- For freestanding applications, a **fill profile** is provided. This guarantees beautifully finishing of the head box.

For even more convenient installation, the connection between the head box and the side guiding channel is achieved with separate **mounting pins**. In addition, the side guiding channels for fixation to the window are **pre-drilled**. The **bottom bar** can now easily be clicked from the fabric. This limits the weight during installation or allows for rapid disassembly. A detachable click profile on the **fabric tube** minimizes not only the horizontal line formation on the fabric, but it also ensures that you can easily and quickly click the fabric out of the fabric tube.



# A SIDE GUIDING CHANNEL FOR EVERY APPLICATION

The Fixscreen Minimal range has a wide selection of side guiding channels, which allow combinations with every type of window.

The **XS** side guiding channel, an extremely slim side guide measuring only 20 mm x 55 mm. Ideally suited for both surface-mounted and recessed (IM7A) application on classic as well as fine window frames.



XS side guiding channel

The deep recessed side guiding channel (**S/M/L**), is mainly used for free-standing applications. This type is matched to the depth of the corresponding head box and is fixed laterally to the structure.

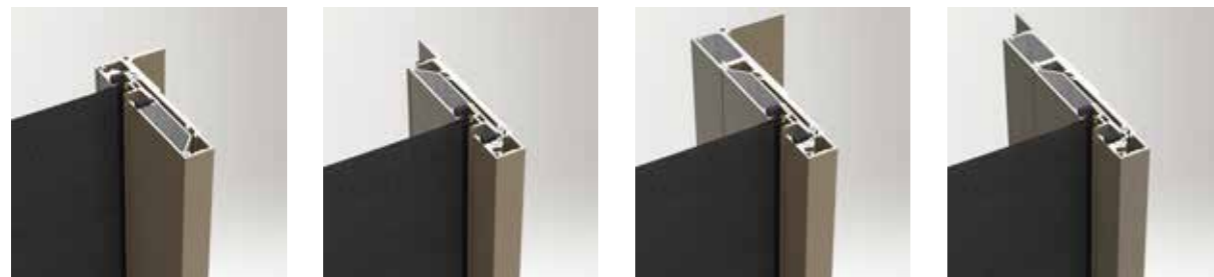


M side guiding channel

In addition to a side guiding channel for lateral fixing, the Fixscreen Minimal IM7 application also offers two types of side guiding channels **for fixation to the window frame**.

- The **Window Front (.WF)** type for frontal fixation on the window frame
- The **Window Side (.WS)** type for a sideways fixation on the window frame.

Both types are available for each type of head box (**S.WF/S.WS – M.WF/M.WS – L.WF/L.WS**), as well as in an enlarged “+” version in combination with the base box M.W+ (**M.WF+/M.WS+**). Thanks to the integrated rubber detail on the back, these slides also guarantee a rainproof combination with the window!



M.WF side guiding channel

M.WS side guiding channel

M.WF+ side guiding channel

M.WS+ side guiding channel

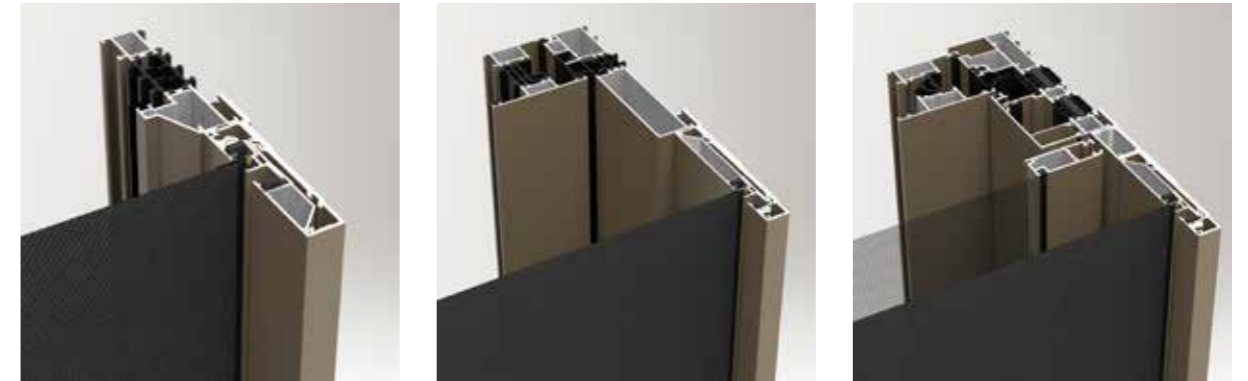
Depending on the type of window, a frontal or sideways fixation on the window will be more appropriate. Thus the **.WF side guiding channels** are the perfect combination with minimalistic window frames as well as wider standard window frames.



S.WF in combination with a fixed window

M.WF+ in combination with C.F and a minimalist window

The **.WS side guiding channels** on the other hand are the perfect match with slender steellook windows, modern sleek (sliding) windows as well as for combinations with (sliding) insect screens, even for minimalistic windows and for all combinations with an Invisivent! To improve the mounting speed, the side guiding channels are **standard pre-drilled**.



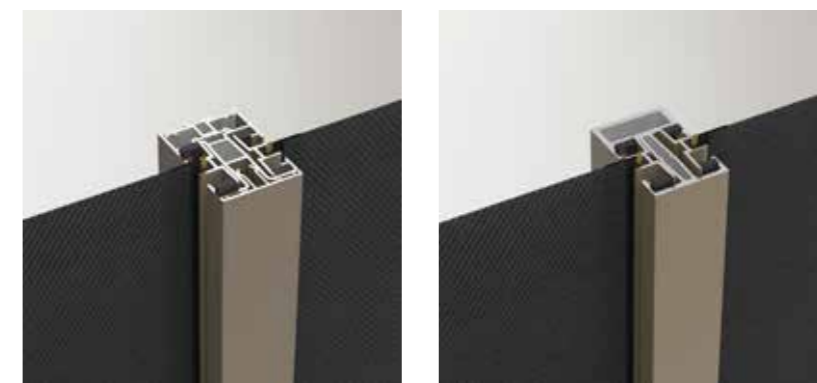
S.WS in combination with a steel look window

L.WS in combination with a sliding door/window

M.WS+ in combination with a sliding window and sliding flyscreen.

The range is completed by two coupling side guiding channels, the C.40 and the C.F.

- The **C.40** coupling side guiding channel is fixed to the window frame and allows two screens to be connected to each other, with a maximum total width of 10 m. Application in IM7A.
- The **C.F.** (or Couple Freestanding) side guiding channel is a unique freestanding coupling side guiding channel which is used with the Medium head box in IM7B. The C.F side guiding channel installed completely separated from the window and allows up to three screens to be connected, with a maximum total width of 12 m. This total solution is the solution for minimalist sliding windows with reinforcing profiles or outward-sliding windows.



C.40 - Standard coupling side guiding channel for IM7A

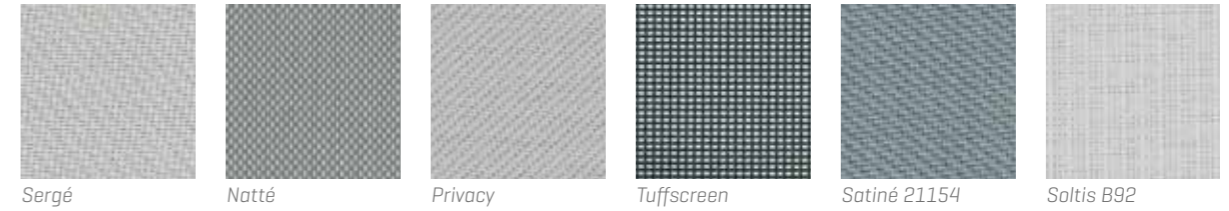
C.F - Freestanding coupling side guiding channel for Medium IM7B

Fixscreen® Minimal



## FABRICS

The Fixscreen Minimal is available in a wide range of fabric colours. In addition to their functional role, blocking the sun, screen fabrics also have a decorative aspect. This ensures that they align seamlessly with the home's architecture. In addition, all fabrics have an exceptionally long lifespan and keep insects out. We distinguish fabrics based on transparency and light transmission, with a wide range of secondary options. Thanks to their specific characteristics and extensive colour palette, there is a suitable fabric type for every application.



Sergé

Natté

Privacy

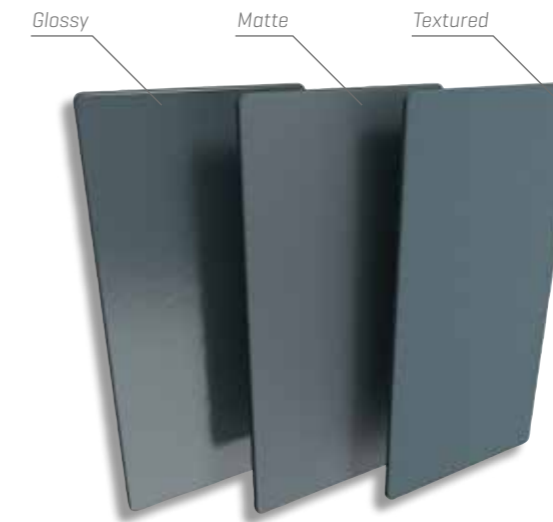
Tuffscreen

Satiné 21154

Saltis B92

## RENSON® COLOURS

You can choose from a wide range of colours. Available as standard in approximately 100 different colours with gloss level 70%, gloss level 30%, or architectural textured coating. This ensures that the sun protection always fits in seamlessly with the building's style. The choice is yours: a glossy or matt finish or rather a trendy texture coating that is not only wear- and scratch resistant, but also maintenance-friendly.



## WARRANTY

At Renson®, we work exclusively with high quality materials. In this way, your customer enjoys an extended warranty period on all parts and your peace of mind is guaranteed.

- **10-year** warranty on all coatings on the aluminium profiles.
- **7-year** warranty on the Fixscreen technology (the zip remains in the side guiding channel, optimal stitching of zip to fabric).
- **5-year** product warranty on all defects arising from normal home use and regular maintenance.



# FIXSCREEN® MINIMAL

## New-built

Installation method 7A (IM7A)

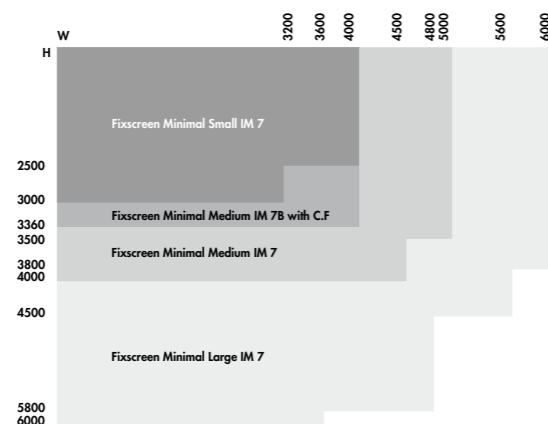
Installation method 7B (IM7B)



### TECHNICAL DETAILS

	Small	Medium	Large
<b>Design</b>			
Box size (H x D)	140 mm x 90 mm	160 mm x 110 mm	180 mm x 130 mm
Square		✓	
Retractable bottom bar		✓	
<b>Wind resistance</b>			
Wind classification EN13561:2004		3	
Guaranteed wind resistance	Up to 130 km/h in closed position		
<b>Controls</b>			
Detecto Renson® motor Safety First		✓	
Somfy io motor		✓	
Somfy Sonesse io motor *		✓	
<b>Technology</b>			
Fixscreen technology		✓	
Smooth technology		✓	
Fixscreen Minimal Connect&Go-technology		✓	
Click&Safe technology		✓	
<b>Certificates</b>			
Declaration of Performance (DoP) certificate	DOP-2015SC00006		
Wind tunnel report	WTT17-001		
<b>Warranty</b>			
10-year warranty on coating of aluminium profiles		✓	
7-year warranty on Fixscreen technology		✓	
7-year warranty on Detecto Renson® motor		✓	
5-year product warranty		✓	
5-year warranty on fabric collection		✓	
5 year warranty on Somfy io motor and automation		✓	
5-year warranty on gloss level		✓	

\* Only possible for indoor use for Small and Medium. Please note the correct viewing direction for the selection of cable feed left or right in case of indoor application



### DIMENSIONS

		Small	Medium	Large					
<b>Single screen</b>									
Fibreglass fabric Sergé / Natté / Privacy	Min. width Somfy IO	900 mm		900 mm					
	Min. width Detecto	670 mm		670 mm					
	Max. width	4000 mm	3200 mm	5000 mm	4500 mm	6000 mm	5600 mm	4800 mm	3600 mm
	Max. height	2500 mm	3000 mm	3500 mm	4000 mm	3800 mm	4500 mm	5800 mm	6000 mm
	Max. surface area	10 m²	9,6 m²	17,5 m²	18 m²	22,8 m²	25,5 m²	27,8 m²	21,6 m²
Tuffscreen mosquito mesh	Min. width Somfy IO	900 mm		900 mm	900 mm				
	Min. width Detecto	670 mm		670 mm	670 mm				
	Max. width	4000 mm	3200 mm	5000 mm	4500 mm	5000 mm	4500 mm		
	Max. height	2500 mm	3000 mm	3500 mm	4000 mm	3500 mm	4000 mm		
	Max. surface area	10 m²	9,6 m²	17,5 m²	18 m²	17,5 m²	18 m²		
Satiné 21154 blackout fibreglass fabric Soltis Opaque B92 blackout polyester fabric	Min. width Somfy IO	900 mm		900 mm	n/a				
	Min. width Detecto	670 mm		670 mm	n/a				
	Max. width	3200 mm		4000 mm	n/a				
	Max. height	2500 mm		4000 mm	n/a				
	Max. surface area	8 m²		16 m²	n/a				

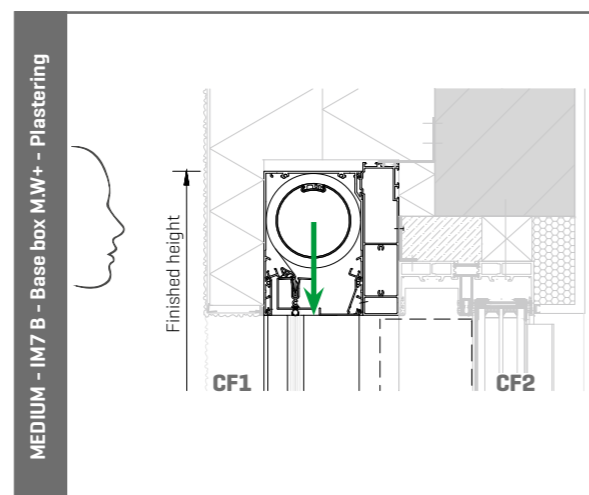
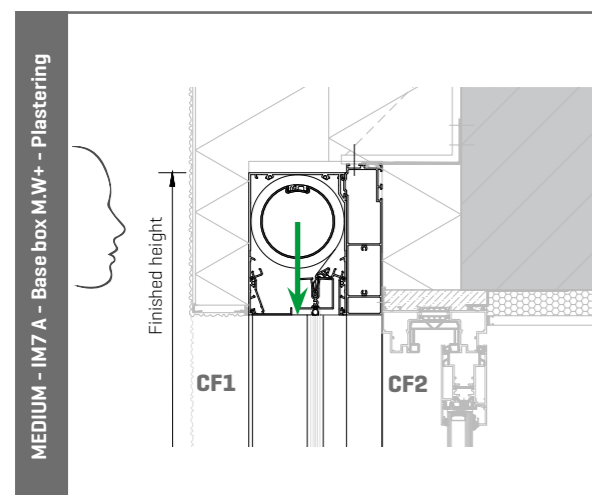
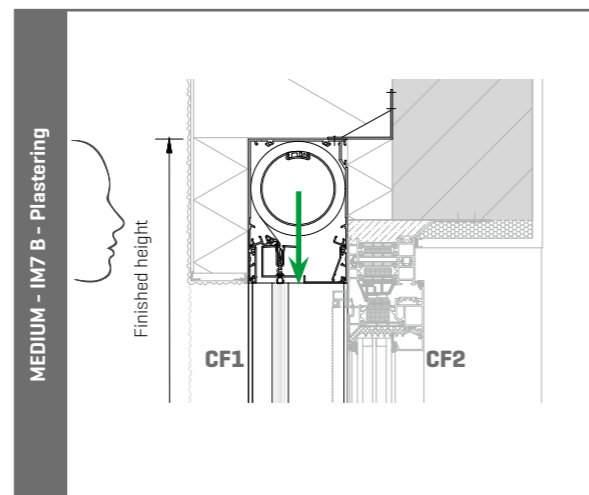
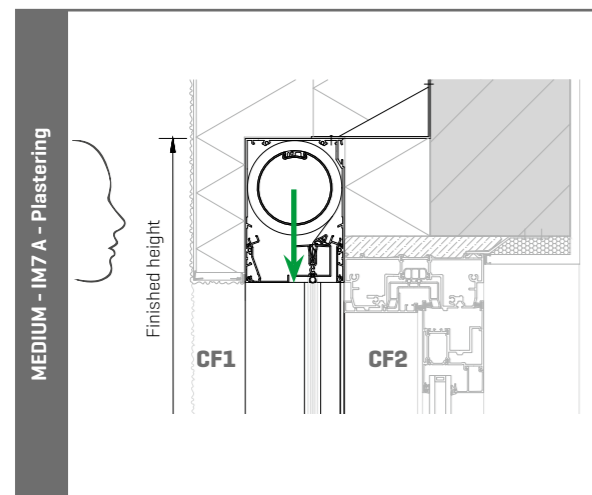
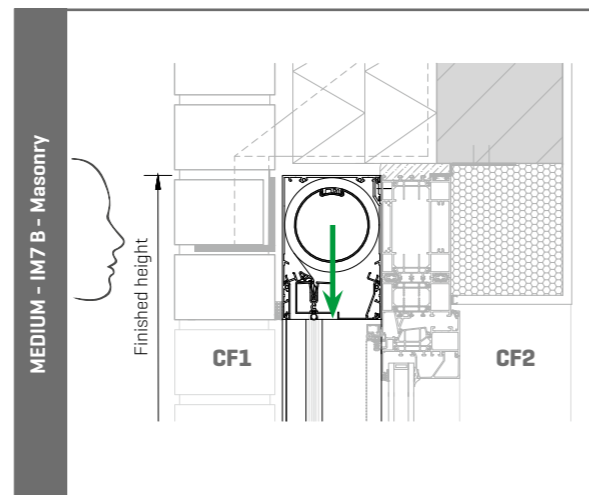
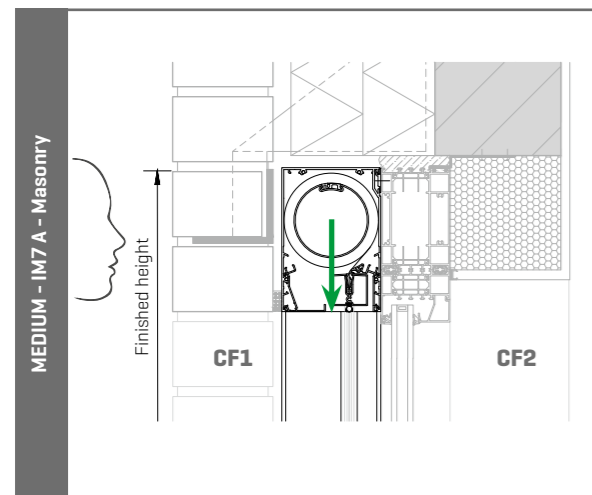
#### Please note

- Screens are always motorised.
- 2 screens can be connected together [box next to box]. The dimensions of a single screen also apply to an interconnected screen. Maximum total width of 10000 mm.
- Fixation:
  - The Small head box doesn't need to be secured
  - The Medium head box needs to be secured starting from a width > 3600 mm
  - The Large head box: mandatory fixation on the sides in combination with side guiding channel XS, supplementary fixation in the middle from 3600 mm width onward



Indoor application on a structurally glazed curtain wall. Continuous lines without any light gaps, equipped with a silent motor.

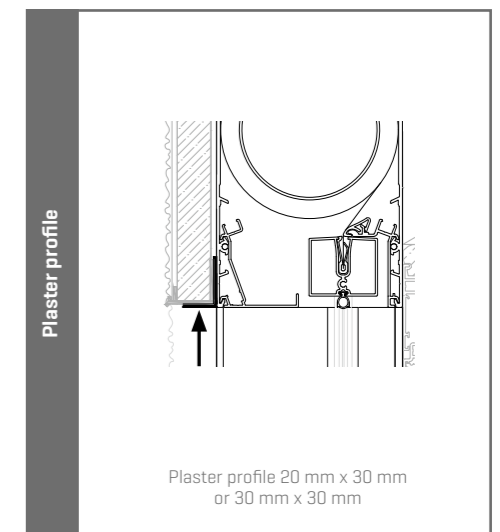
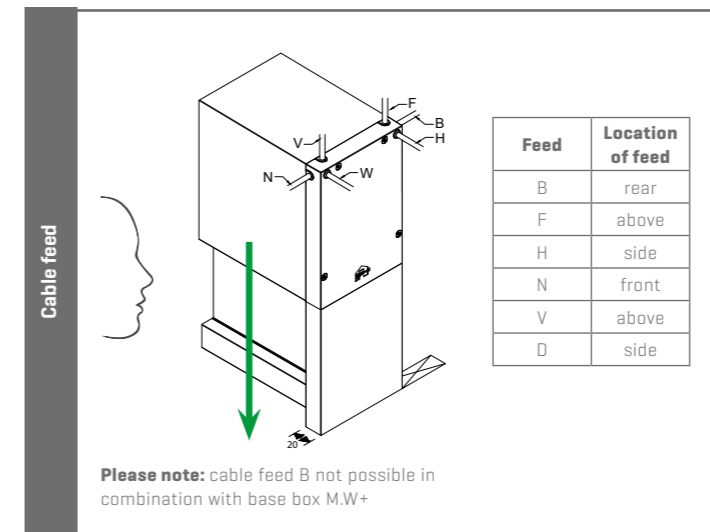
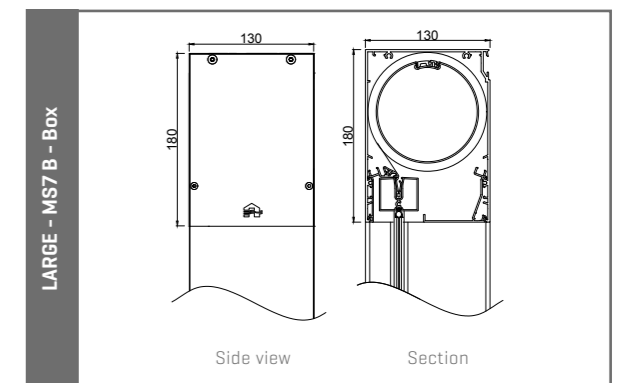
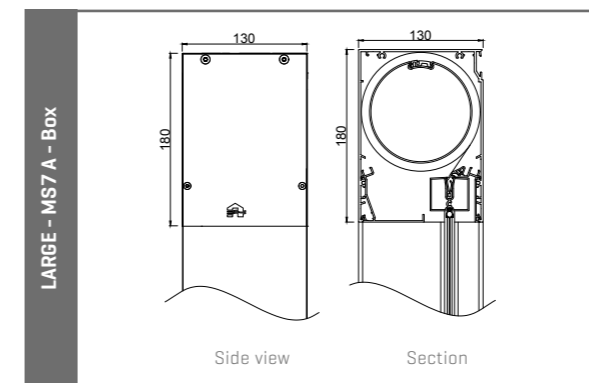
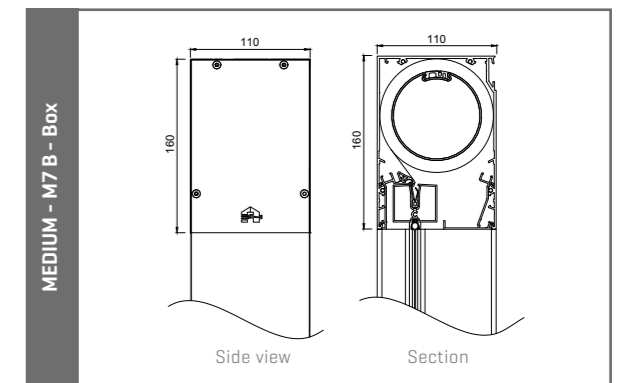
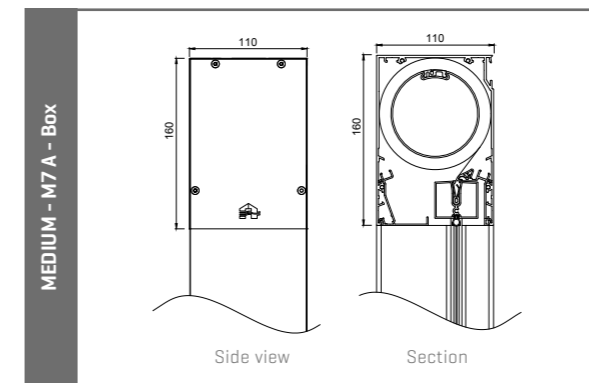
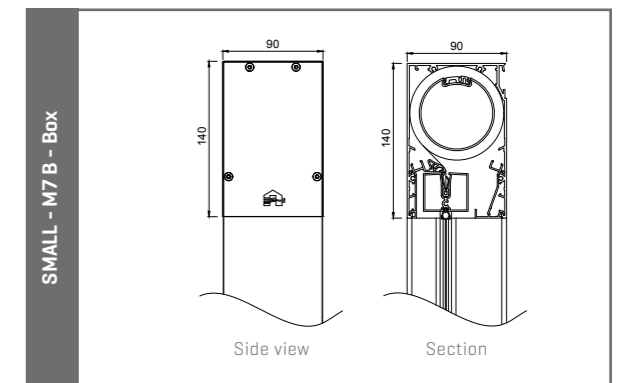
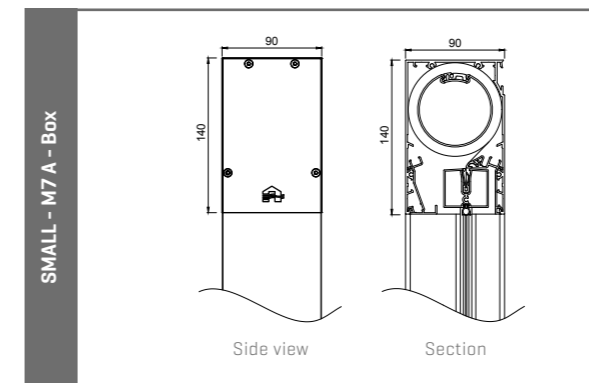
## TECHNICAL DRAWINGS



Viewing direction determines choice of left or right cable feed

← Direction in which fabric roller tube can be removed

## TECHNICAL DRAWINGS



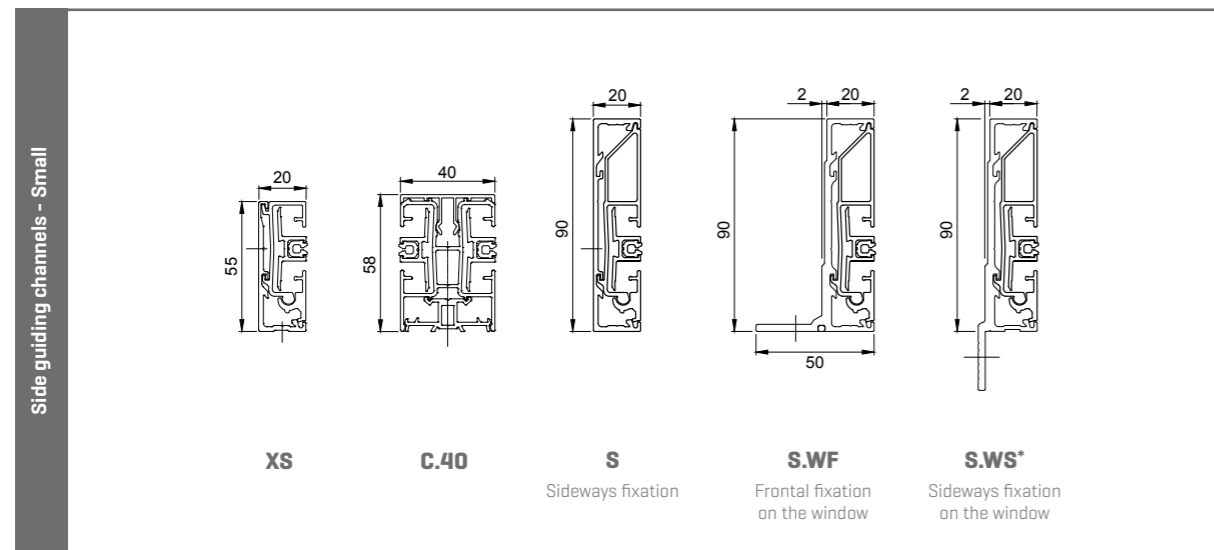
Viewing direction determines choice of left or right cable feed

← Direction in which screen set roller is removable

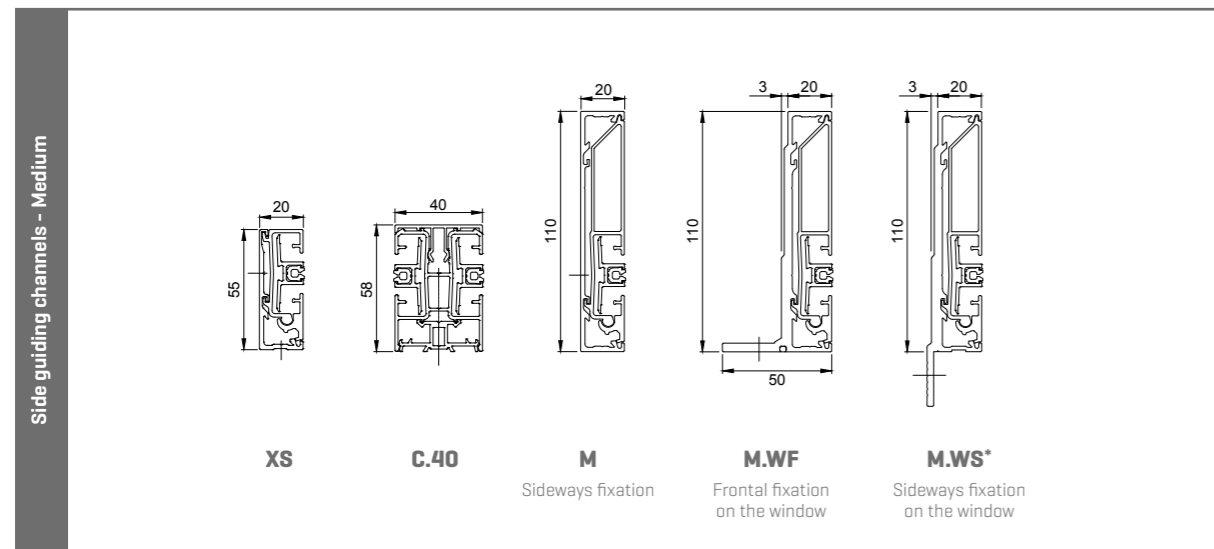
☒ Window position



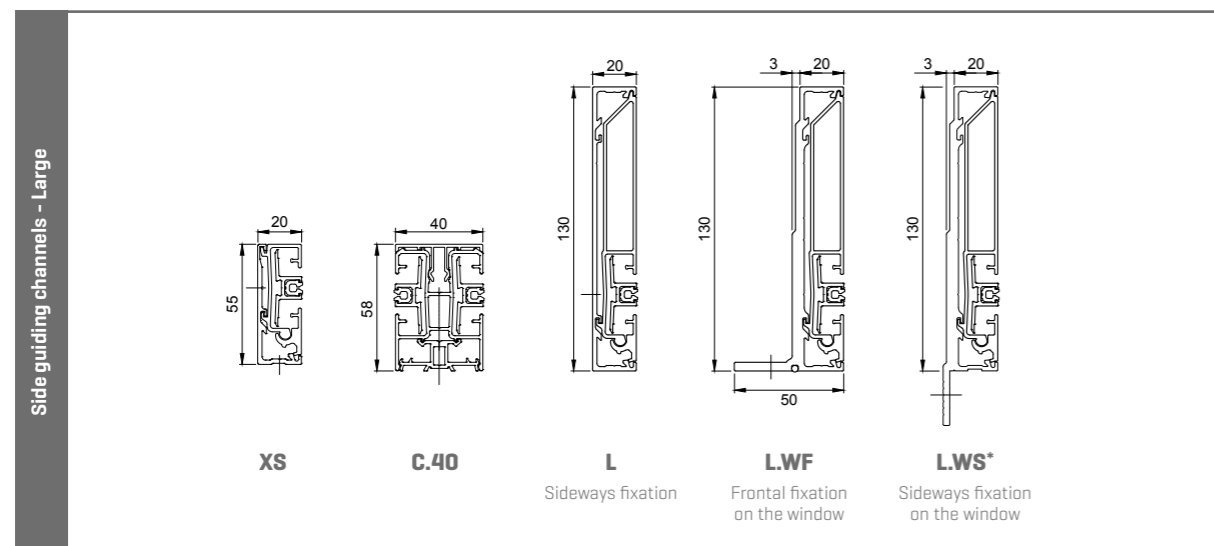
## TECHNICAL DRAWINGS



\* Available from Q2 2022

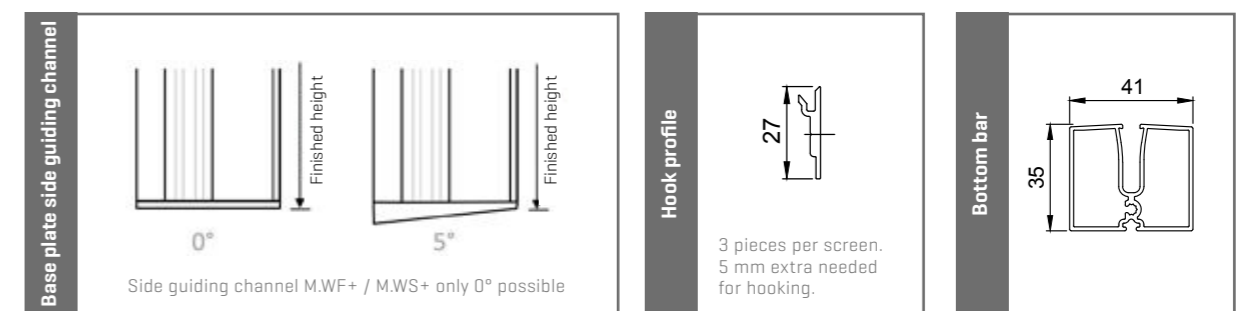
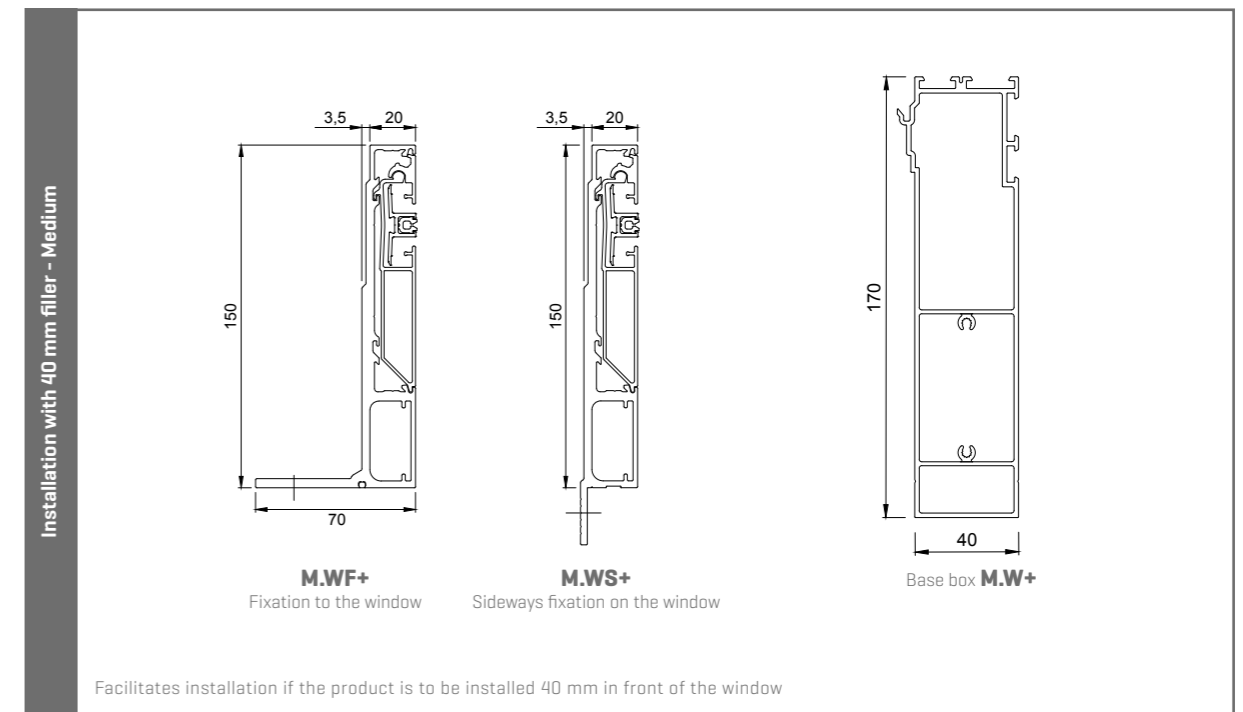


\* Available from Q2 2022



\* Available from Q2 2022

## TECHNICAL DRAWINGS



# FIXSCREEN® MINIMAL

New-built with freestanding coupling side guiding channel  
Installation method 7B C.F (IM7B C.F)



## TECHNICAL DETAILS

	Medium
<b>Design</b>	
Head box size [H x D]	160 mm x 110 mm
Square	✓
Retractable bottom bar	✓
<b>Wind resistance</b>	
Wind classification EN13561:2004	3
Guaranteed wind resistance	Up to 80 km/h in closed position
<b>Controls</b>	
Detecto Renson® motor Safety First	✓
Somfy io motor	✓
<b>Technology</b>	
Fixscreen technology	✓
Smooth technology	✓
Fixscreen Minimal Connect&Go-technology	✓
Click&Safe technology	✓
<b>Certificates</b>	
Declaration of Performance (DoP) certificate	DOP-2015SC00006
<b>Warranty</b>	
10-year warranty on coating of aluminium profiles	✓
7-year warranty on Fixscreen technology	✓
7-year warranty on Detecto Renson® motor	✓
5-year product warranty	✓
5-year warranty on fabric collection	✓
5 year warranty on Somfy io motor and automation	✓
5-year warranty on gloss level	✓

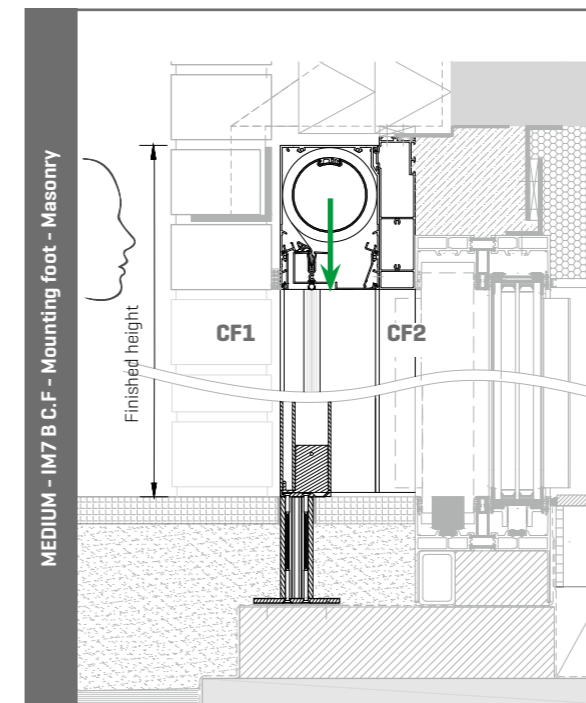
## DIMENSIONS

	Medium	
<b>Single screen</b>		
	Min. width Somfy IO	900 mm
	Min. width Detecto	670 mm
Fibreglass fabric Sergé / Natté / Privacy	Max. width	4000 mm
	Min. height	1500 mm
	Max. height	3360 mm
	Max. surface area	13.5 m²

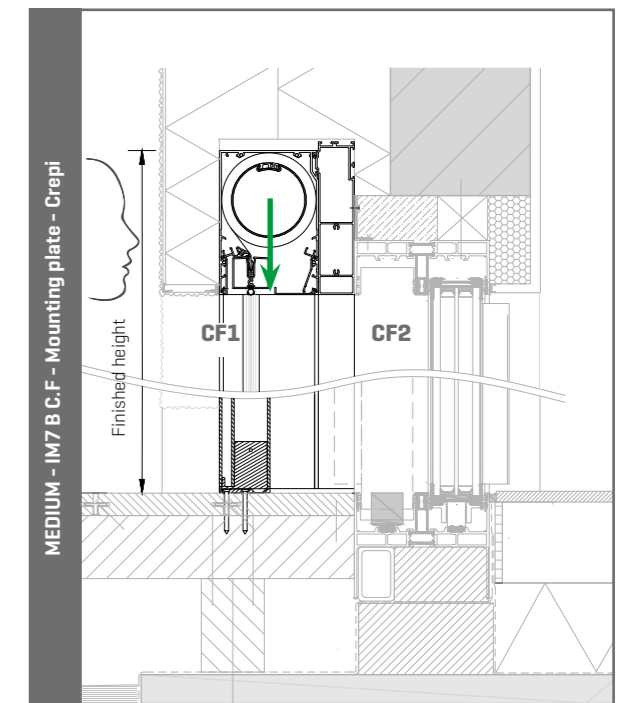
### Please note

- Only possible for IM7B. Completely freestanding (F) installation of the IM7B C.F. is not permitted.
- Head box must be installed concealed to prevent thermal expansion of the head boxes.
- Screens are always motorised
- Connection of up to 3 screens is possible when using the freestanding coupling side guiding channel (C.F), with a total maximum width of 12000 mm. Dimensions of a single screen apply for the connected screens.
- Each head box must be secured at the sides and in the centre, additional securing required width 3000 mm.

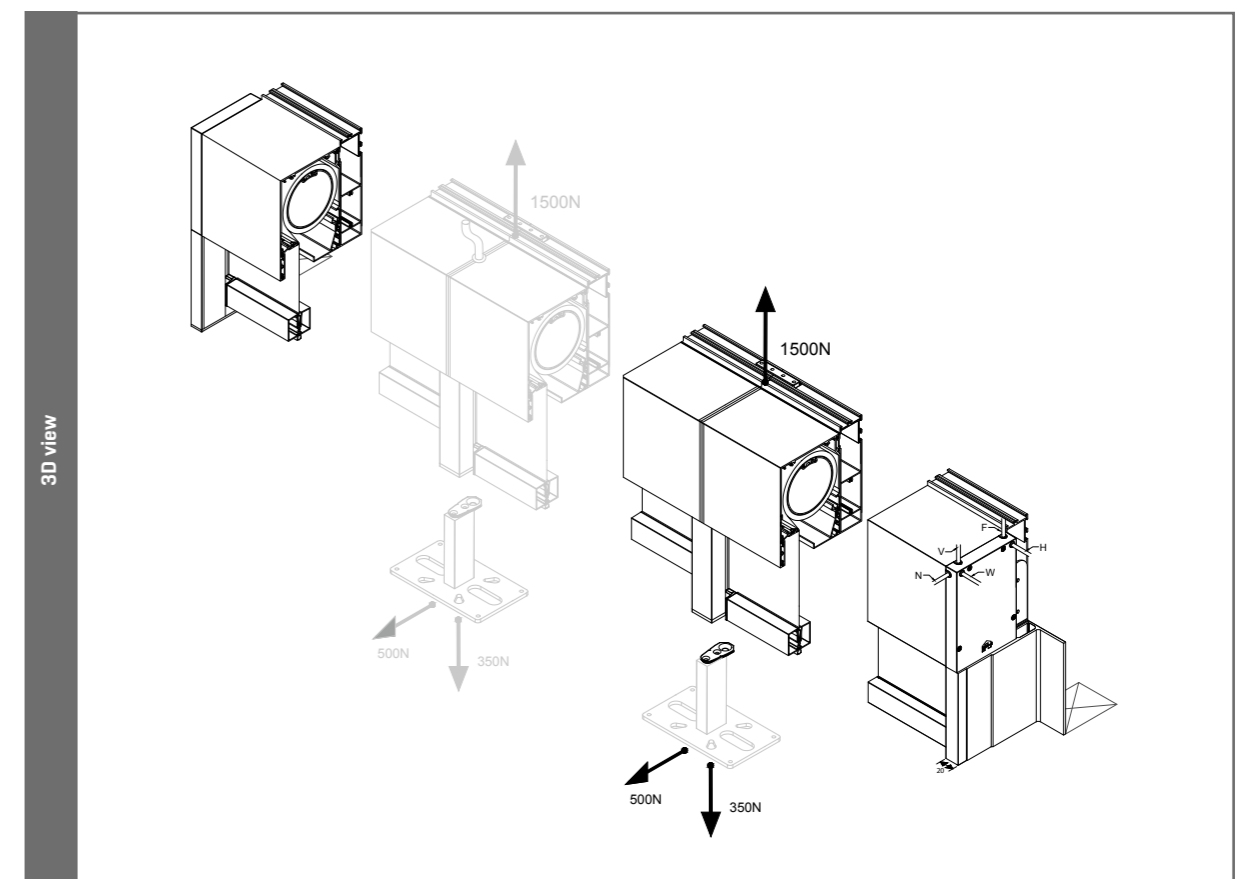
## TECHNICAL DRAWINGS



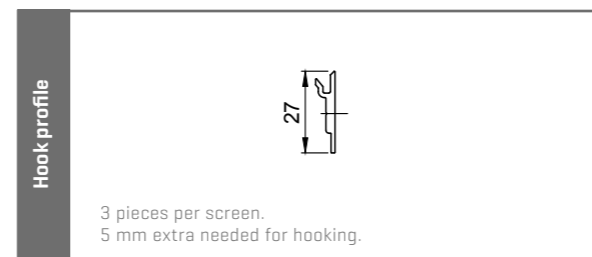
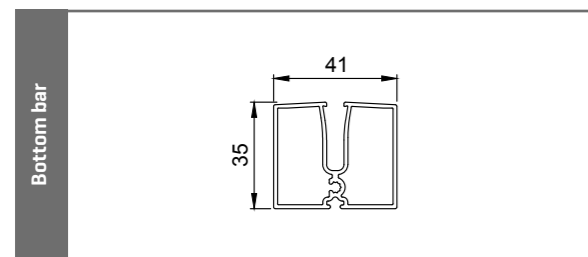
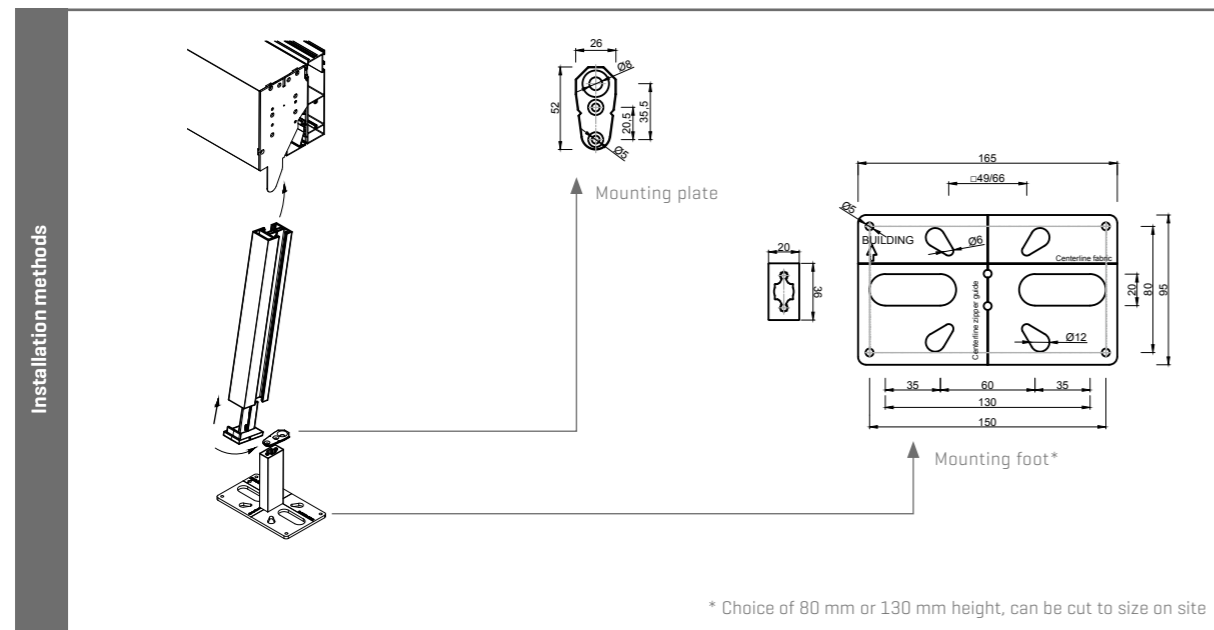
Viewing direction determines choice of left or right cable feed



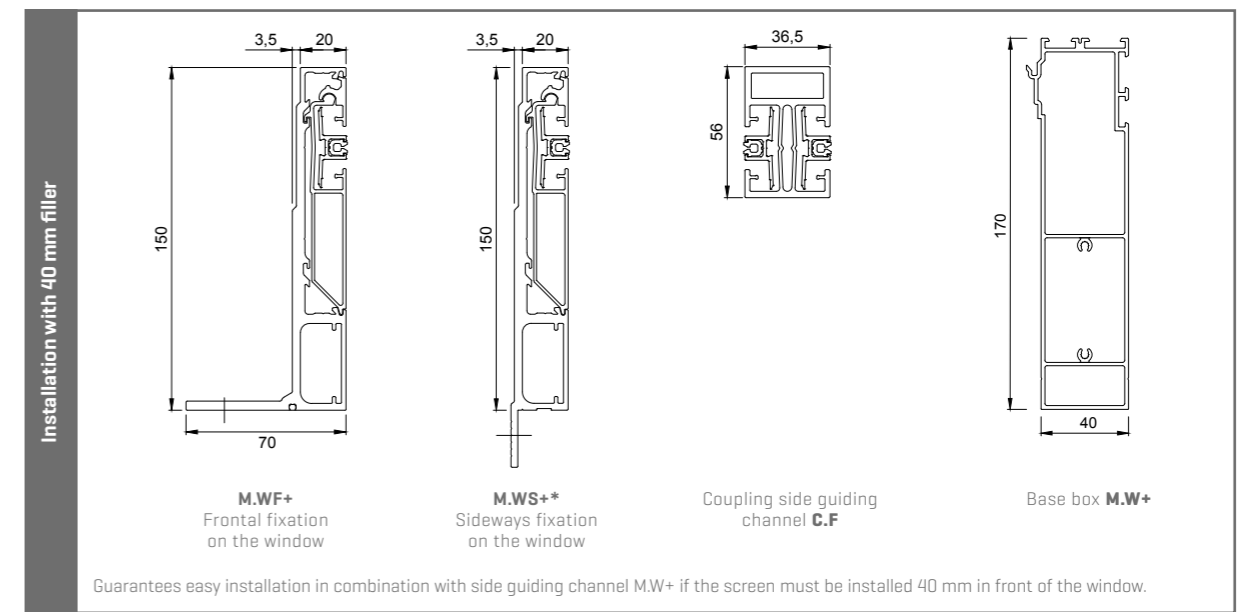
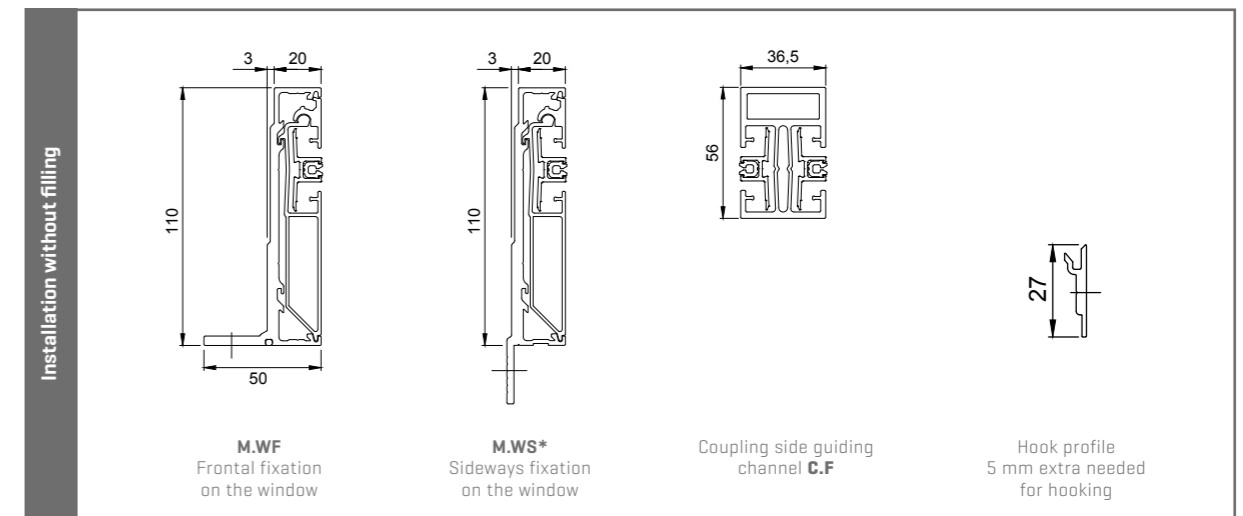
Direction in which fabric roller tube can be removed



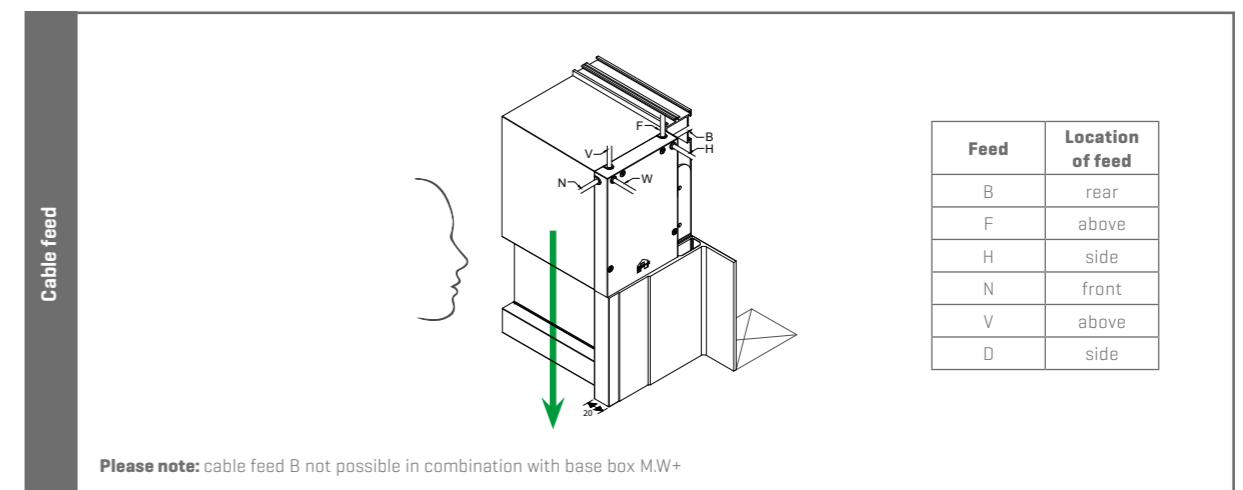
## TECHNICAL DRAWINGS



## TECHNICAL DRAWINGS



\* Available from Q2 2022



Viewing direction determines choice of left or right cable feed

☒ Window position

← Direction in which screen set roller is removable

# FIXSCREEN® MINIMAL

New-built

Installation method 7A freestanding (IM7A F)

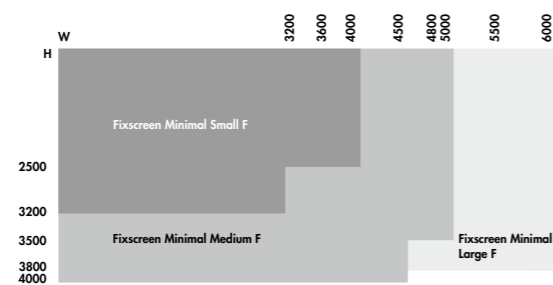
Installation method 7B freestanding (IM7B F)



Freestanding

## TECHNICAL DETAILS

	Small	Medium	Large
<b>Design</b>			
Head box size [H x D]	140 mm x 90 mm	160 mm x 110 mm	180 mm x 130 mm
Square		✓	
Retractable bottom bar		✓	
<b>Wind resistance</b>			
Wind classification EN13561:2004		3	
Guaranteed wind resistance	Up to 100 km/h in closed position		
<b>Controls</b>			
Detecto Renson® motor Safety First		✓	
Somfy io motor		✓	
<b>Technology</b>			
Fixscreen technology		✓	
Smooth technology		✓	
Fixscreen Minimal Connect&Go-technology		✓	
Click&Safe technology		✓	
<b>Certificates</b>			
Declaration of Performance (DoP) certificate	DOP-2015SC00006		
Wind tunnel report	WTT17-001		
<b>Warranty</b>			
10-year warranty on coating of aluminium profiles		✓	
7-year warranty on Detecto Renson® motor		✓	
5-year warranty on Fixscreen technology		✓	
5-year product warranty		✓	
5-year warranty on fabric collection		✓	
5 year warranty on Somfy io motor and automation		✓	
5-year warranty on gloss level		✓	



## DIMENSIONS

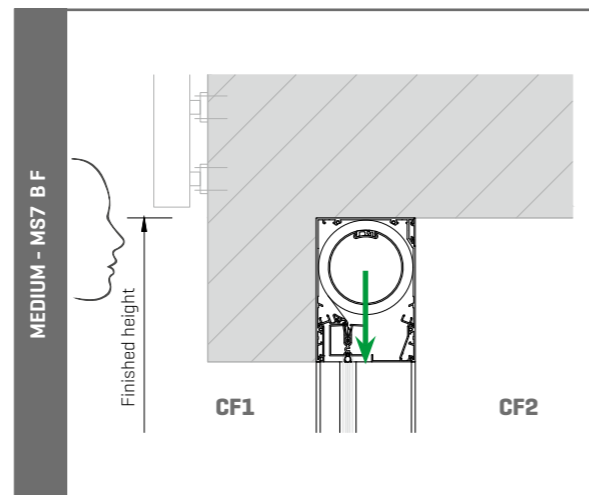
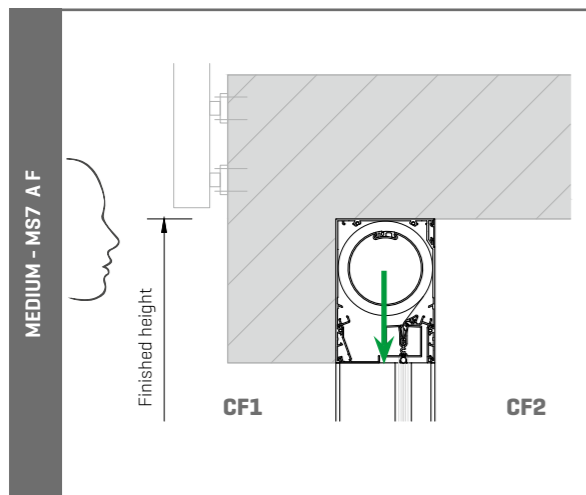
		Small	Medium	Large	
<b>Single screen</b>					
Fibreglass fabric Sergé / Natté / Privacy	Min. width Somfy IO	900 mm		900 mm	
	Min. width Detecto	900 mm		900 mm	
	Max. width	4000 mm	3200 mm	5000 mm	4500 mm
	Max. height	2500 mm	3000 mm	3500 mm	4000 mm
Tuffscreen mosquito mesh	Max. surface area	10 m²	9,6 m²	17,5 m²	18 m²
	Min. width Somfy IO	900 mm		900 mm	
	Min. width Detecto	900 mm		900 mm	
	Max. width	4000 mm	3200 mm	5000 mm	4500 mm
Tuffscreen mosquito mesh	Max. height	2500 mm	3000 mm	3500 mm	4000 mm
	Max. surface area	10 m²	9,6 m²	17,5 m²	18 m²

### Please note

- Screens are always motorised.
- Fixation:
  - The Small head box doesn't need to be secured
  - The Medium head box needs to be secured starting from a width > 3600 mm
  - The Large head box: mandatory fixation on the sides in combination with side guiding channel XS, supplementary fixation in the middle from 3600 mm width onwards.

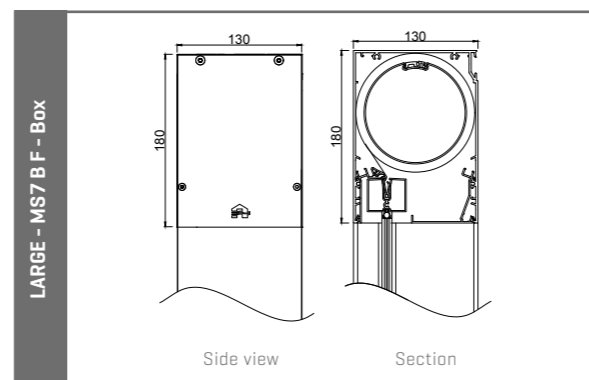
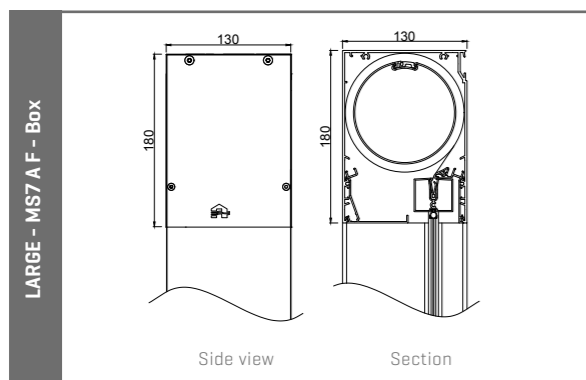
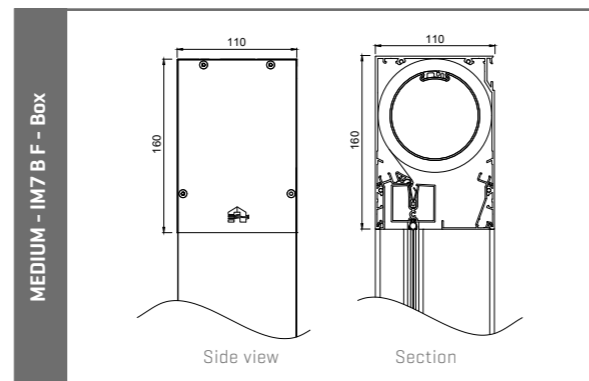
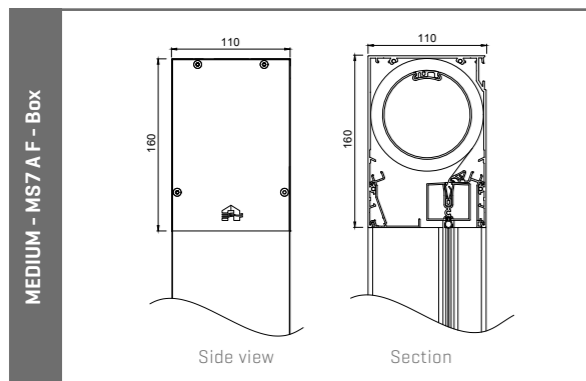
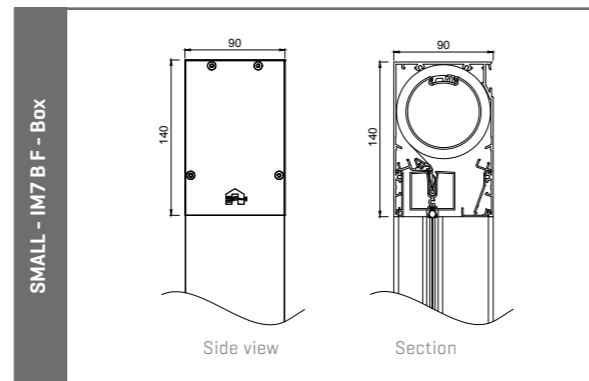
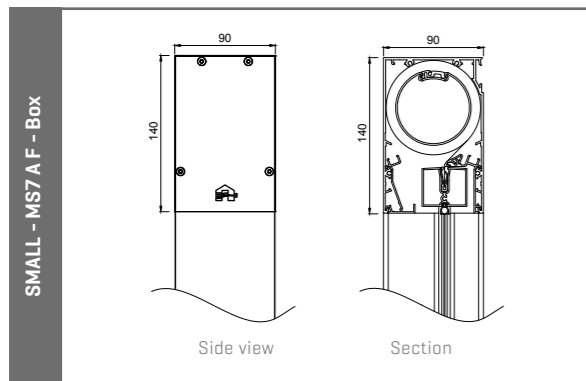


## TECHNICAL DRAWINGS

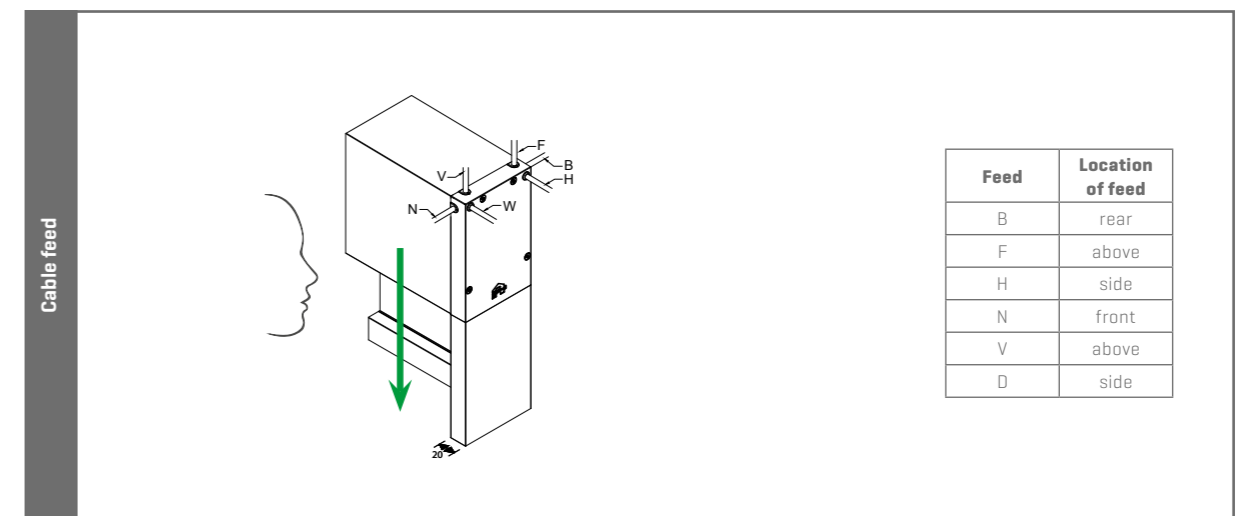
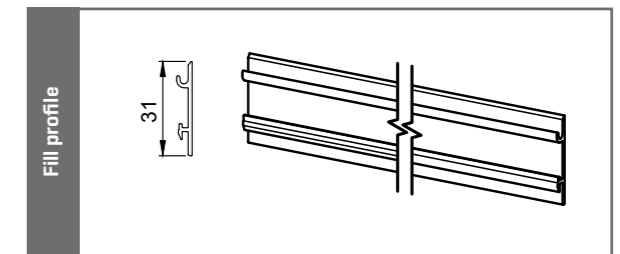
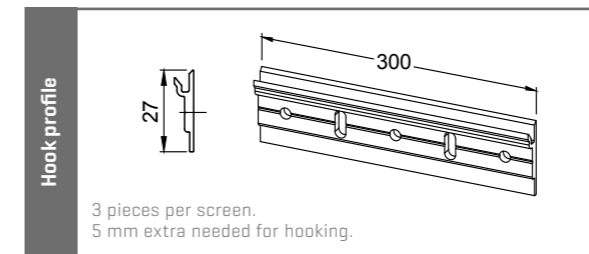
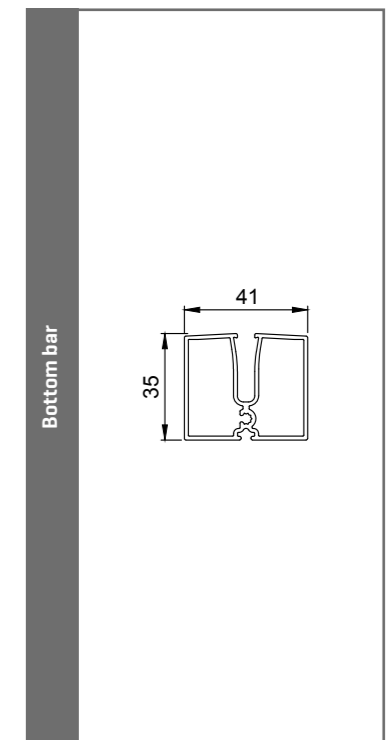
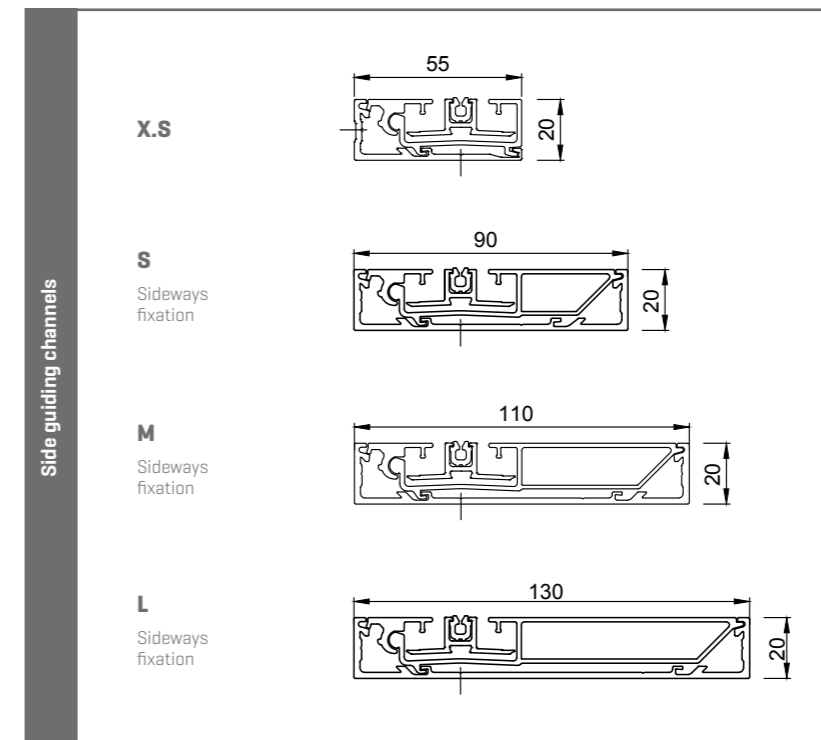


Viewing direction determines choice of left or right cable feed

Direction in which fabric roller tube can be removed



## TECHNICAL DRAWINGS



Viewing direction determines choice of left or right cable feed

Direction in which screen set roller is removable

# APPLICATION OVERVIEW FIXSCREEN MINIMAL IM 7

# SIDE GUIDING CHANNELS FOR WINDOW FIXATION

For exact mapping see Renson price list and brochure

**FIXSCREEN MINIMAL SMALL**

**FIXSCREEN MINIMAL MEDIUM**

Supplementary fixation head box in the middle from 3600 mm width onwards

FIXSCREEN MINIMAL SMALL			FIXSCREEN MINIMAL MEDIUM					
IM 7A	IM 7A + C.40	IM 7B	IM 7A	IM 7A + C.40	IM 7B	IM 7A	IM 7A + C.40	IM 7B
IM 7A SWF	IM 7A SWS	IM 7B SWF	IM 7B SWS	IM 7A MWF	IM 7A MWS	IM 7B MWF	IM 7B MWS	

**FIXSCREEN MINIMAL MEDIUM**

Supplementary fixation head box in the middle from 3600 mm width onwards

**+ C.F [Couple Freestanding]**

Connection of up to 3 screens possible, with a total maximum width of 12000 mm  
Each head box must also be fixated at 3 additional points (to the base box)

**FIXSCREEN MINIMAL LARGE**

Supplementary fixation head box in the middle from 3600 mm width onwards

FIXSCREEN MINIMAL MEDIUM				FIXSCREEN MINIMAL LARGE		
IM 7A + Base box	IM 7B + Base box	IM 7B + C.F	IM 7B + C.F + Base box	IM 7A	IM 7A + C.40	IM 7B
IM 7A MWF+	IM 7A MWS+	IM 7B MWF+	IM 7B MWS+	IM 7A LWF	IM 7A LWS	IM 7B LWF

STEP 1	STEP 2	STEP 3											
<b>Fixed window</b>	Internal glazing	✓*	✓	✓*	✓	✓*	✓	✓*	✓	✓*	✓	✓*	✓
	External glazing	-	✓	-	✓	-	✓	-	✓	-	✓	-	✓
<b>Turn and tilt window</b>	No flyscreen	✓*	✓	✓*	✓	✓*	✓	✓*	✓	✓*	✓	✓*	✓
	Flyscreen < 12 mm thickness	✓*	✓	✓*	✓	✓*	✓	✓*	✓	✓*	✓	✓*	✓
<b>[Lift &amp;]</b> <b>Sliding door</b>	Flyscreen > 12 mm thickness	-	-	-	✓*	✓	-	-	-	-	✓*	✓	
	"Flush" sliding sash inside	-	✓	-	✓	-	✓	-	✓	-	✓	-	✓
	"Flush" sliding sash outside - Grip outside < 10 mm	-	✓	-	✓	-	✓	-	✓	-	✓	-	✓
	Flyscreen < 20 mm thickness	-	-	-	✓	-	-	-	-	-	-	-	✓
	Flyscreen > 20 mm < 40 mm thickness	-	-	-	-	-	-	-	-	-	-	-	✓
	Reinforced profile ≤ 40 mm	-	-	-	-	-	-	-	-	-	-	-	-
<b>Minimalistic window</b>	Reinforced profile > 40 mm ≤ 50 mm	-	-	-	-	-	-	-	-	-	-	-	
	Reinforced profile ≤ 40 mm ≤ 50 mm	-	-	-	-	-	-	-	-	-	-	-	-

\* Attention: screw area = 30 mm outside the head box.

\*\* Attention: screw area = 50 mm outside the head box and base box.

STEP 3											
✓**	✓	✓**	✓	✓*	✓	✓**	✓	✓*	✓	✓*	✓
-	✓	-	✓	-	✓	-	✓	-	✓	-	✓
✓**	✓	✓**	✓	✓*	✓	✓**	✓	✓*	✓	✓*	✓
✓**	✓	✓**	✓	✓*	✓	✓**	✓	✓*	✓	✓*	✓
-	✓	-	✓	-	✓	-	✓	-	✓	-	✓
-	✓	-	✓	-	✓	-	✓	-	✓	-	✓
-	✓	-	✓	-	✓	-	✓	-	✓	-	✓
-	✓	-	✓	-	✓	-	✓	-	✓	-	✓
✓**	-	✓**	-	-	-	✓**	-	-	-	-	-
-	-	✓**	-	-	-	✓**	-	-	-	-	-

## APPLICATION OVERVIEW FIXSCREEN MINIMAL IM 7 SIDE GUIDING CHANNELS FOR WINDOW FIXATION

Based on the following matrix, Renson will guide you to the most suited\* type of side guiding channel for your application.

For the Fixscreen Minimal, Renson offers two side guiding channel type for fixation to the window, the .WF and .WS type. The name refers to the direction of the fixation to the window frame, either frontal [Front] = .WF, or sideways [Side] = .WS.



Type .WF



Type M.WF+



Type .WS



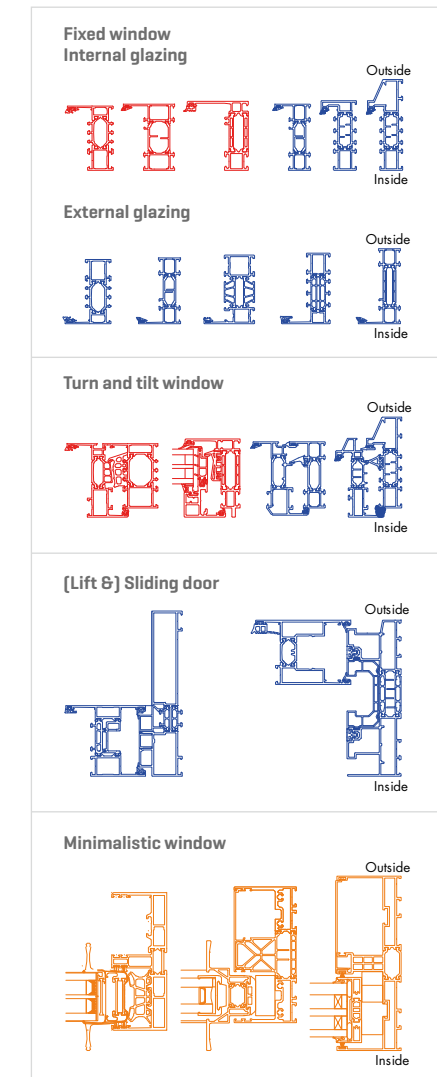
Type M.WS[+]

For the .WS (Windows Side) side guiding channel, the total width of the screen = total width of the window. In order to be able to always compensate for any tolerance between window and screen, the position of the flange is shifted 2 mm outwards. In this way the combination will always succeed. Renson supplies insulating filling pieces as standard, for any oversize.

\* Renson recommends the most suitable solution, other combinations may be possible [e.g. with the XS side guiding channel].

How to use this overview?

Step 1: Applied window type



Step 2: Any extras / thickenings or reinforcement profiles

Step 3: Suitable installation method and side guiding channel type. Choose head box type according to required max surface.

Attention: Combination with Invisivent®, regardless of window type → IM 7B and .WS side guiding channel



RENSON® Headquarters  
Maalbeekstraat 10, IZ 2 Vijverdam, B-8790 Waregem, Belgium  
Tel. +32 56 30 30 00  
info@renson.eu  
www.renson.eu

