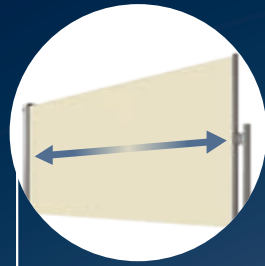




Side screen

Paravento

The stylish side awning **Paravento** protects against inquisitive glances, sunlight and cool side winds. As a cost-effective solution, the lean but robust cassette can be mounted practically anywhere. The **Paravento** creates attractive highlights in combination with a state-of-the-art pattern from the weinor fabric collection. Special function fabrics provide privacy protection and allow an outside view during the day. Therefore, the **Paravento** is a flexible and elegant alternative to fixed elements such as fences, walls and hedges.



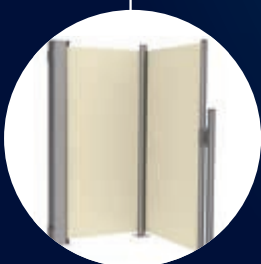
Large widths possible:
Up to 4 metres



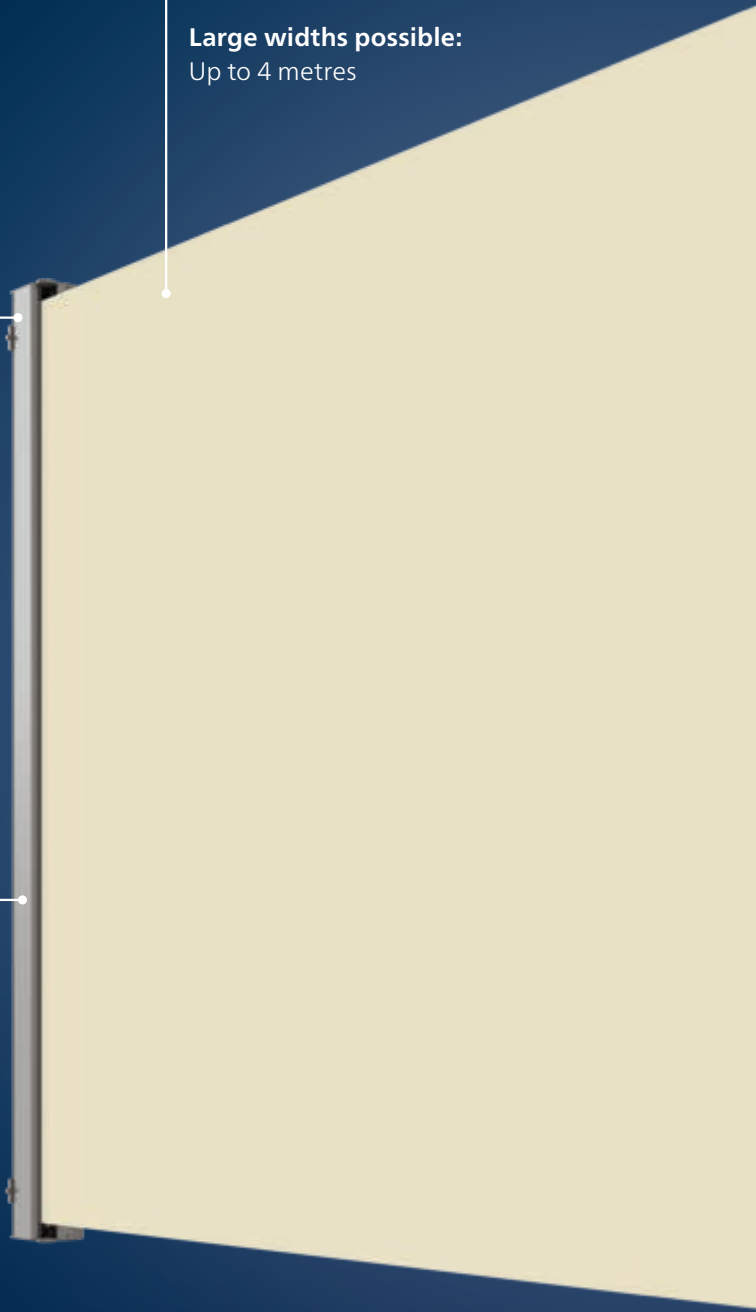
Slimline dimensions:
Elegant design



Stable construction:
High fabric tension



Alternative corner post:
Flexible fabric guide



Paravento Highlights

Matching fabrics and frame colours:
Coordinated to existing products



Diagonal cloth cut:
trapezium shape available to compliment other products



03



Handle and suspended grip bracket:
Position of handle is adjustable

Two mounting options:
Screw in post



Insertable post with ground sleeve



Paravento Benefits



Simple installation – for universal application

The Paravento can easily be fitted to any house wall or patio construction – both sideways or front. It can be mounted simply and quickly due to the corresponding attachments.

- Attractive and cost-effective alternative to fences, hedges, walls etc.
- Can be extended and retracted in one step
- Can be easily unhinged in winter and stored to save space



For an attractive appearance: elegant design, large range of fabrics

When it is retracted, the entire technology is concealed completely in the aluminium cassette of the Paravento. With its lean dimensions of only 142 mm x 120 mm, the cassette adapts unobtrusively to any environment.

- Elegant design
- Extensive weinor fabric selection – also many seamless versions
- Translucent and breathable climate-control fabrics Soltis®
- 47 RAL frame colours as well as 9 conservatory trend structural colours



Robust construction – the prerequisite for high fabric tension

The elegant appearance of the Paravento is based on the lean design and light construction style. Simultaneously, its robust construction makes it especially resilient – the fundamental prerequisite for optimum fabric tension.

- Extruded aluminium profiles for high stability
- Optimum fabric tension due to barrel arbor in the fabric roller
- High wind resistance, wind resistance class 2



Perfect addition to existing products

It is not only in its function as side protection that the Paravento is an excellent addition to awnings, patio roofs and pergolas. It is also the perfect complement in frame colours and fabric patterns.

- Colour matching is simple, even when retrofitted
- Fabric can match the main awning, or other sun protection
- Trapezium-shaped versions as an addition to folding arm awnings

Paravento Technology

Paravento	
Technology	
Max. cassette height	250 cm
Max. projection length	400 cm, max. surface area of the fabric 8 m ²
Cassette size (w x h)	142 x 120 mm
Handle	1 piece; from cassette height 1,876 mm 2 piece
Installation alternatives	wall mounting, different posts, angle bracket
Fabrics	
my collections 2	● with seam: all fabrics available
Soltis®	○ with seam: Soltis® 86, 92; without seam: Soltis® 86, 92 available extra-wide
Options/accessories	
Grip bracket in a handrail	○
Insertion post, 120 cm incl. ground sleeve	○
Screw-in post, 120 cm	○
Insertable corner post, 180 cm incl. ground sleeve	○
Screw-in corner post, 180 cm	○
Angle bracket for housing bracket	○
Angle bracket for grip bracket	○
Quality	
Tested up to	Wind resistance class 2 according to DIN 13561 (wind strength 5 on the Beaufort scale)

● standard ○ optional — unavailable

Paravento Technical details

Handle and attached grip bracket – simple to attach and detach



Handle and suspended grip bracket

After the drawing of the Paravento, the handle attached to the bottom rail is suspended in the grip bracket. The grip bracket can be fitted to a wall or a patio post. Alternatively, an insertable or screw-in post is available, which can be fitted to the patio floor, and/or in a concrete bed.



Handle and suspended grip bracket detailed view

Your fabric is always taut – optimum tensioning via the barrel arbor



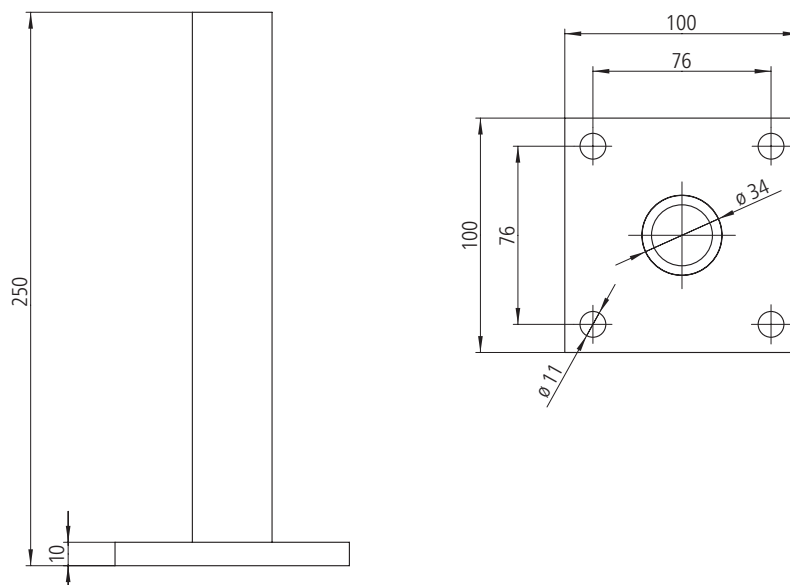
Fabric tensioning via barrel arbor

The barrel arbor integrated in the fabric roller bearing provides optimum fabric tensioning. It is connected to one of the head plates via a square opening.

Column foot



Base plate for the screw in post



Base plate for the screw in post

Posts

Screw-in and insertable post

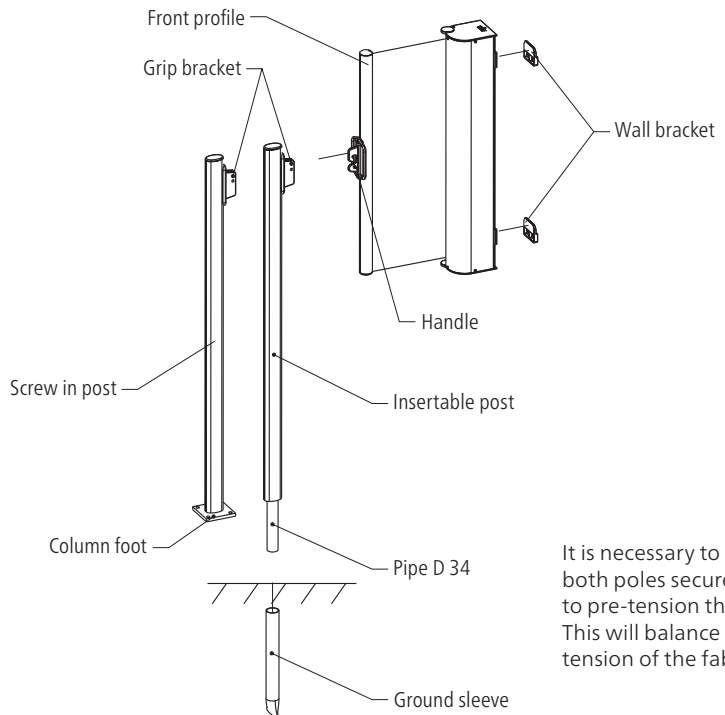


Screw in post



Insertable post

After the Paravento is drawn the grip bracket is attached to a screw in or insertable post. The screw in post is fitted directly to the floor, while the insertable post can be set into the ground.



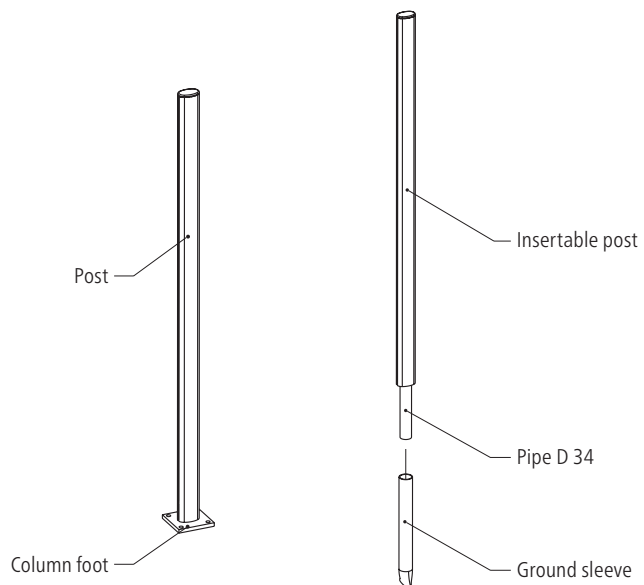
It is necessary to install both poles securely and to pre-tension them. This will balance the tension of the fabric.

The corner post



The corner post

The fabric is guided over an angle via a corner post. For privacy protection on several sides. Both the screw-in and the insertable post can be used as a corner post. In this case, a grip bracket is not included in the delivery. The corner post can be mounted to the floor or cast in concrete.



Paravento Fabric selection

Fabric selection for seamless fabrics



All seamless fabrics from the current weinor fabric collection can be used for this version. The structure of the textile runs vertically to the cassette.

in cm	Soltis® 86, 92	Soltis® 86, 92	my collections 2
Unit width	177	267	120
Cassette height			
80* – 127.5	N	N	N
127.6 – 187.5	N	N	–
187.6 – 250	–	N	–

N Seamless: seamless fabric

– Not available

* Up to a cassette height of 112 cm, the projection length is max. 300 cm, from a cassette height of 112.1 cm the projection length is max. 400 cm.

Fabric selection for sewn fabrics



All fabrics from the relevant weinor fabric collection can be used for this version. The structure of the textile runs crosswise to the cassette.

in cm	my collections 2
Unit width	120
Cassette height	
80* – 127.5	T
127.6 – 187.5	T
187.6 – 250	T

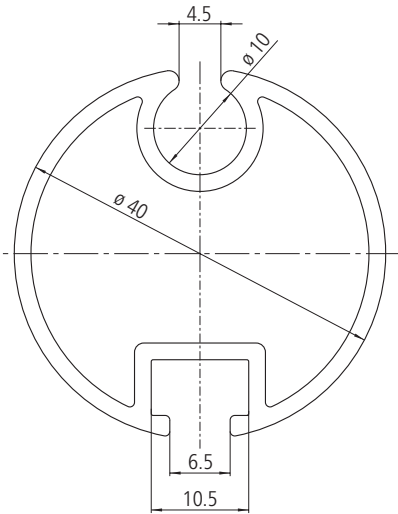
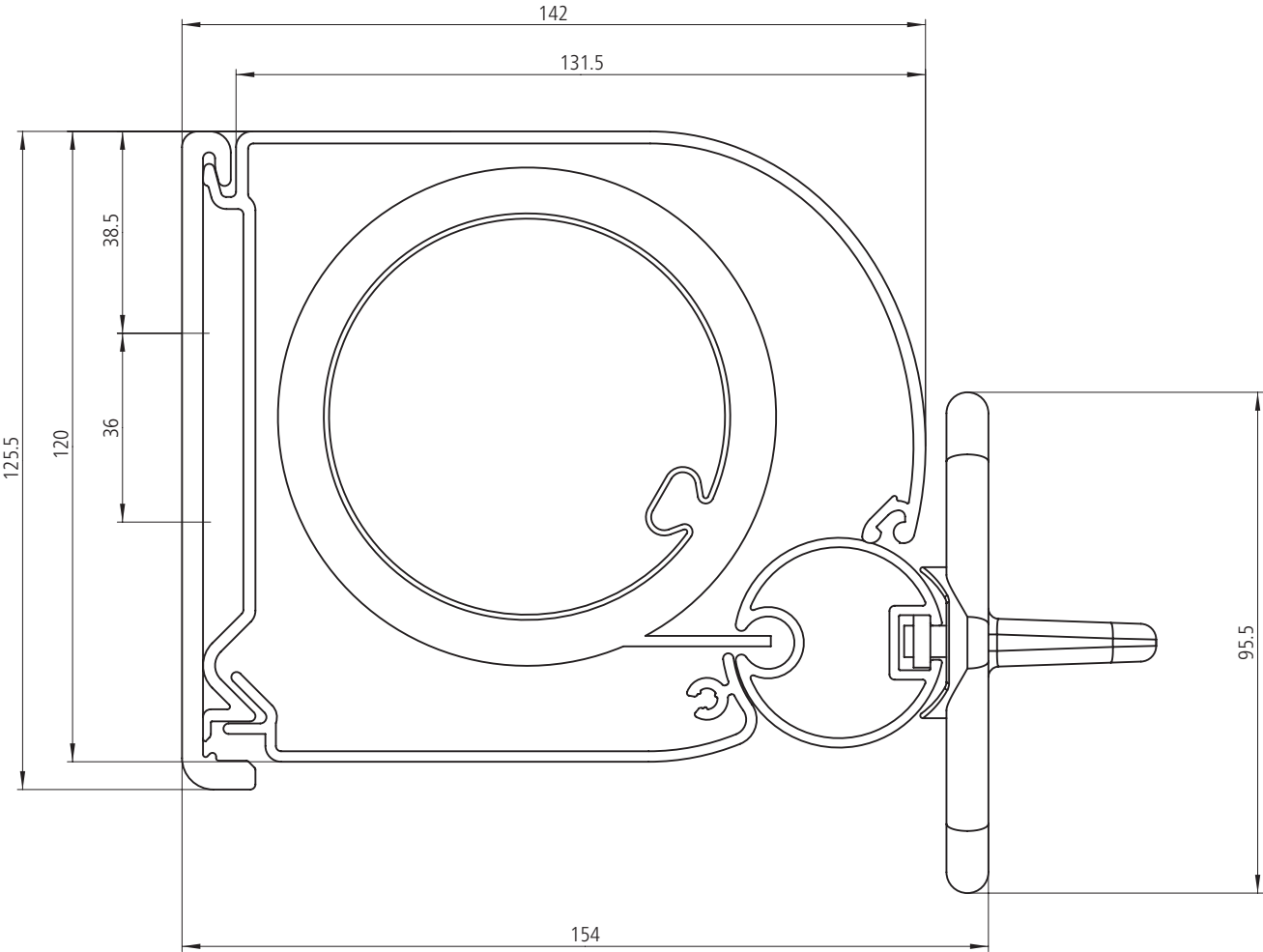
T Transverse seam: fabric with transverse seam; the seam runs crosswise to the dropping direction; the stripe pattern runs crosswise to the dropping direction

* Up to a cassette height of 112 cm, the projection length is max. 300 cm, from a cassette height of 112.1 cm the projection length is max. 400 cm.

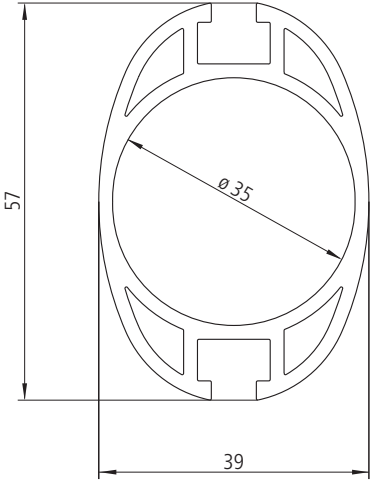


Paravento Planning

Cross-sections

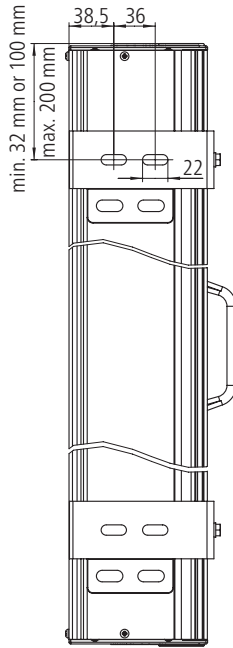


Cross section of bottom rail

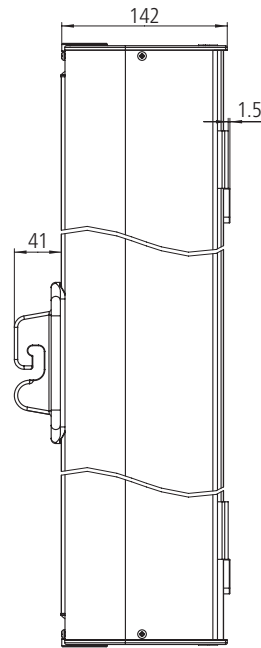


Cross section of post (all types of posts)

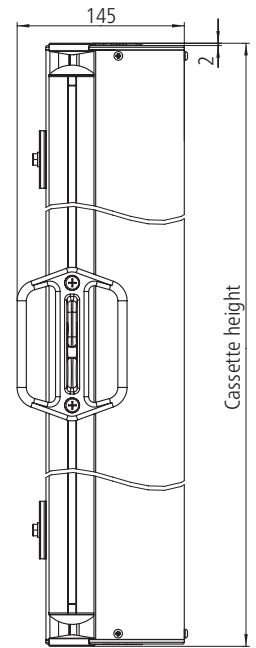
Cassette dimensions



As seen from the back



As seen from the side

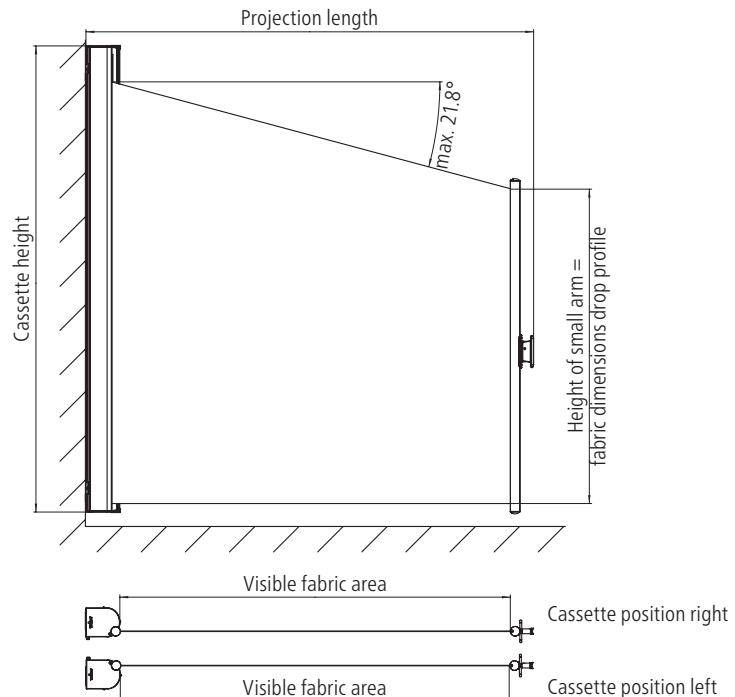


View as seen from the front

Paravento with trapezium shaped fabric



The Paravento with trapezium-shaped fabric is the ideal addition to for example a weinor folding arm awning. As its shape corresponds to the pitch of the awning, it creates a well-protected area with this combination – for additional side protection from inquisitive neighbours, low-lying sun and cool side winds.



Paravento Installation

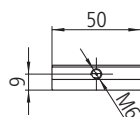
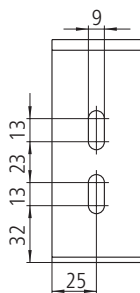
Installation with housing bracket



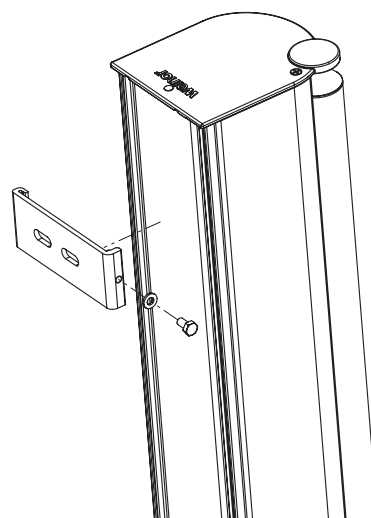
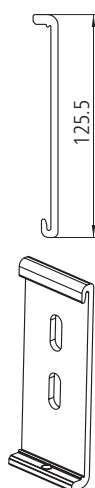
Housing brackets



Installed housing bracket



Version 1



Installation with housing bracket

For this mounting option, the cassette is pivoted into the housing bracket and fastened with safety screws. The cassette is then securely mounted. Two housing brackets are sufficient to mount the Paravento directly to the house wall.

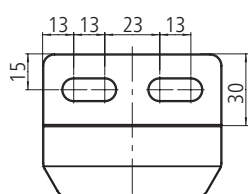
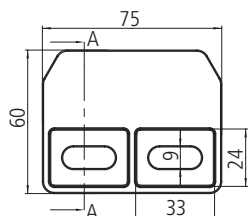
Installation with wall and housing bracket



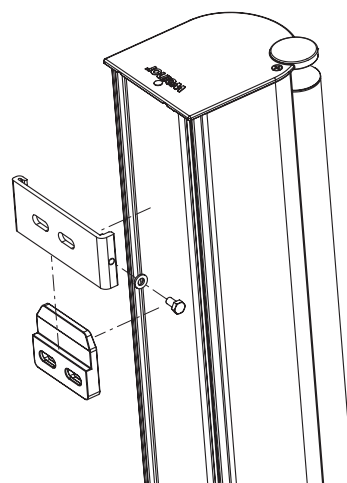
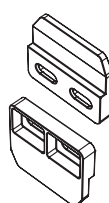
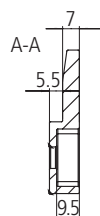
Wall bracket



Wall bracket with installed housing bracket



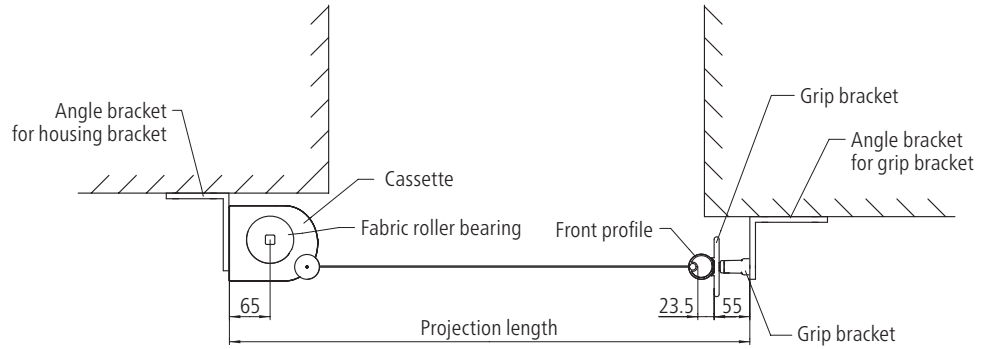
Version 2



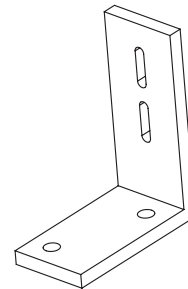
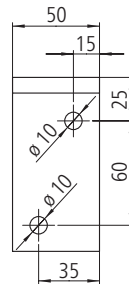
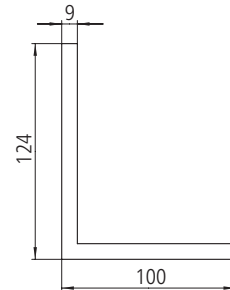
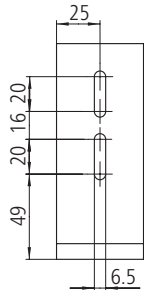
Installation with wall and housing bracket

For this mounting option, the wall bracket is mounted to the wall and the housing bracket to the cassette. The cassette is attached to the wall bracket and, in this way, can be removed at any time. The side awning Paravento can be mounted either on the left or on the right.

Angle bracket



Angle bracket for housing bracket



Angle bracket for grip bracket

